

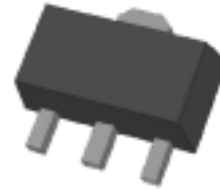


THREE TERMINAL POSITIVE VOLTAGE REGULATORS 15V FH78L18

+15V 三端稳压器 SOT-89

FEATURES

- Best Suited to Power Supply for TTL, C²-MOS
- No External Part Needed
- Built-in Thermal Protective Circuit
- Max. Output Current 100mA (T_j=25)
- SOT-89 Packaged in Power Mini



1.Vout 2.Gnd 3.Vin

MAXIMUM RATINGS(T_a=25) 最大额定值

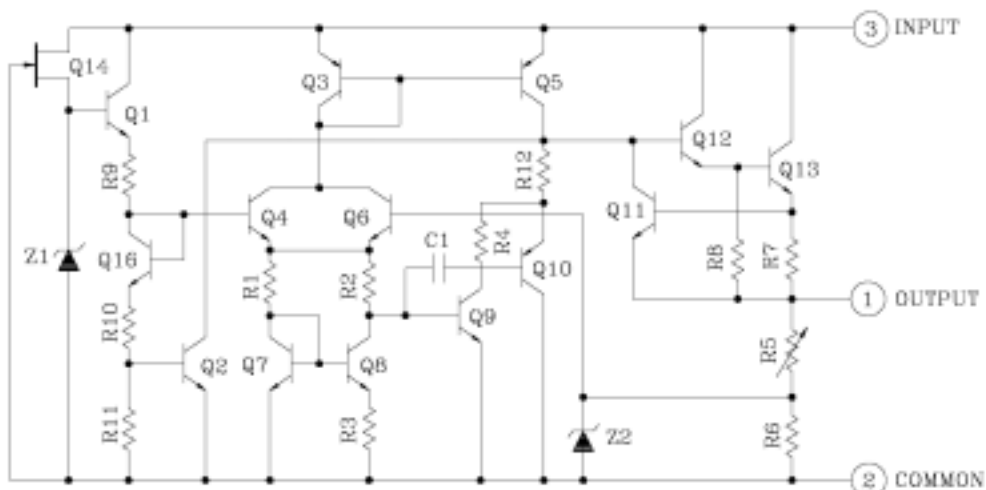
CHARACTERISTIC 特性参数	Symbol 符号	Rating 额定值	Unit 单位
Input Voltage 输入电压	V _{IN}	35	V
Power Dissipation 耗散功率	P _D	500	mW
Operating Junction Temperature 结 温	T _j	-20~120	
Operating Temperature 工作温度	T _{opr}	-20~75	
Storage temperature 储存温度	T _{stg}	-40~150	

DEVICE MARKING 打标

FH78L18 =8J

EQUIVALENT CIRCUIT

等效电路





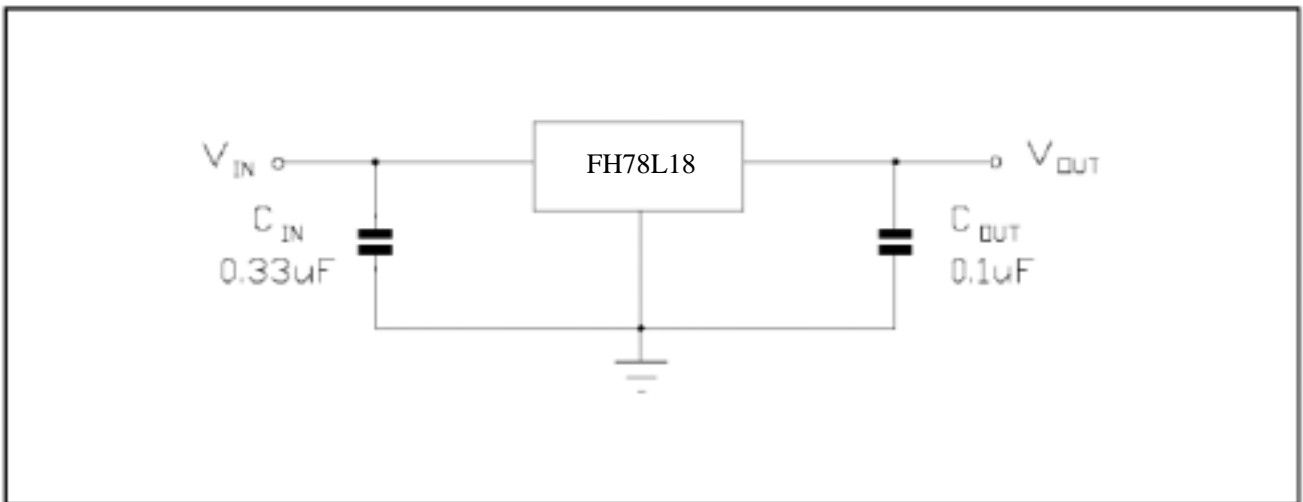
南京南山一风华高科直接授权代理
 025-84712762 84712745 52188228
<http://www.nscn.com.cn>

ELECTRICAL CHARACTERISTICS 电特性

(Unless otherwise noted, $V_{IN}=23V, I_{OUT}=40mA, C_{IN}=0.33\mu F, C_{OUT}=0.1\mu F, 0$ T_j 125)

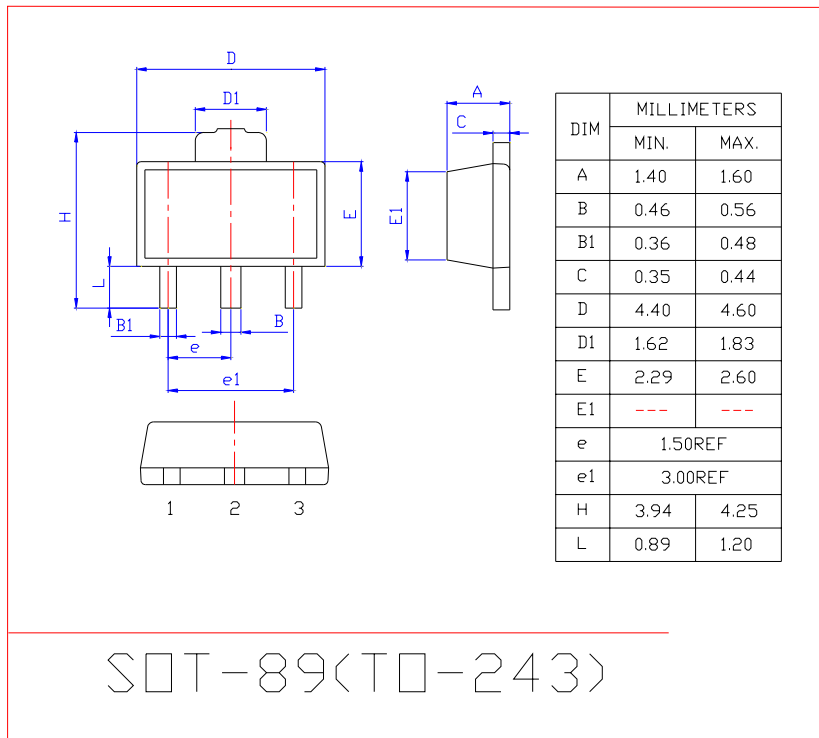
Characteristic 特性参数	Symbol 符号	Test Condition 测试条件	Min 最小值	Type 典型值	Max 最大值	Unit 单位
Output Voltage 输出电压	V_{OUT}	$T_j=25$	7.1	15	18.90	V
		21.4V V_{IN} 33V 1.0mA I_{OUT} 40mA	16.74	-	19.26	V
		$V_{IN}=27V, 1.0mA$ I_{OUT} 70mA	16.74	-	19.26	V
Line Regulation 线性调整率	Reg line	$T_j=25$	21.4V V_{IN} 33V	-	32	mV
			22V V_{IN} 33V	-	27	
Load Regulation 负载调整率	Reg load	$T_j=25$	1.0mA I_{OUT} 100mA	-	25	mV
			1.0mA I_{OUT} 40mA	-	12	
Quiescent Current 静态电流	I_Q	$T_j=25$	-	3.1	6.5	mA
		$T_j=125$	-	-	6.0	
Quiescent Current Change 静态变化电流	I_Q	20V V_{IN} 30V	-	-	1.5	mA
		1.0mA I_{OUT} 40mA	-	-	0.1	
Output Noise Voltage 输出噪声电压	V_{ON}	$T_a=25$, 10Hz f 100KHz	-	90	-	μV_{rms}
Ripple Rejection Ratio 纹波抑制比	RR	$f=120Hz$ 11.5V V_{IN} 23V $T_j=25$	34	40	-	dB
Dropout Voltage 压降	$V_{IN} - V_{OUT}$	$T_j=25$	-	1.7	-	V

TEST CIRCUITS





SOT-89 封装外形尺寸 (SOT-89 DIMENSION)



编带包装规格 (SOT-89 TAPE AND REEL SPECIFICATION AND PACKING SPECIFICATION)

