

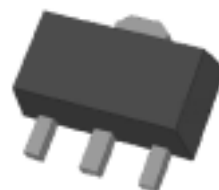


## THREE TERMINAL NEGATIVE VOLTAGE REGULATORS -24V FH79L24

### -24V 三端稳压器 SOT-89

#### FEATURES

- Best Suited to Power Supply for TTL, C<sup>2</sup>-MOS
- Built-in Overcurrent Protective Circuit
- Built-in Thermal Protective Circuit
- Max. Output Current 150mA (T<sub>j</sub>=25 )
- SOT-89 Packaged in Power Mini .



1.Gnd 2.Vin 3.Vout

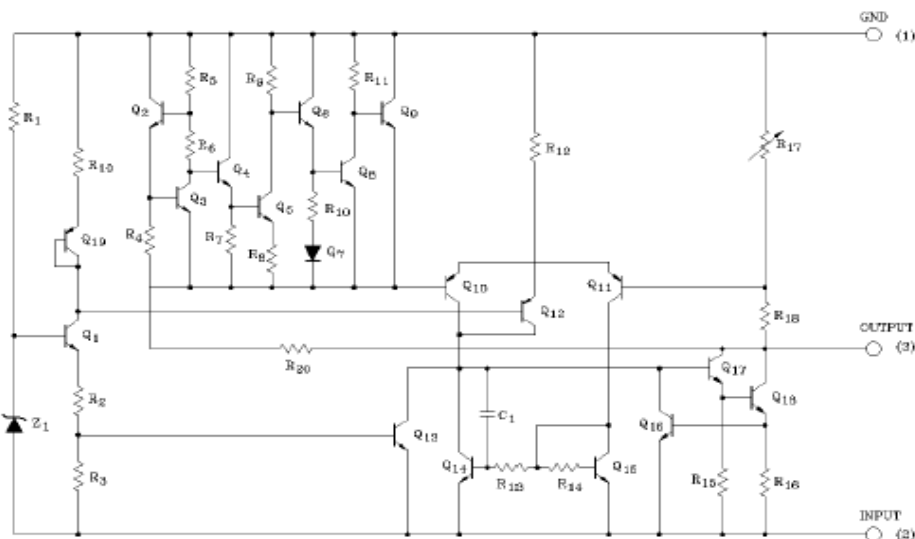
Characteristic		Symbol	Rating	Unit
Input Voltage	(5V~15V)	V <sub>lin</sub>	- 35	V
	(18V~24V)		- 40	
Power Dissipation (T <sub>c</sub> =25 )		PD	500	mW
Operating Junction Temperature		T <sub>j</sub>	- 30 ~ 150	
Operating Temperature		T <sub>opr</sub>	- 30 ~ 75	
Storage Temperature		T <sub>stg</sub>	- 55 ~ 75	

#### DEVICE MARKING 打标

FH79L24 = 9J

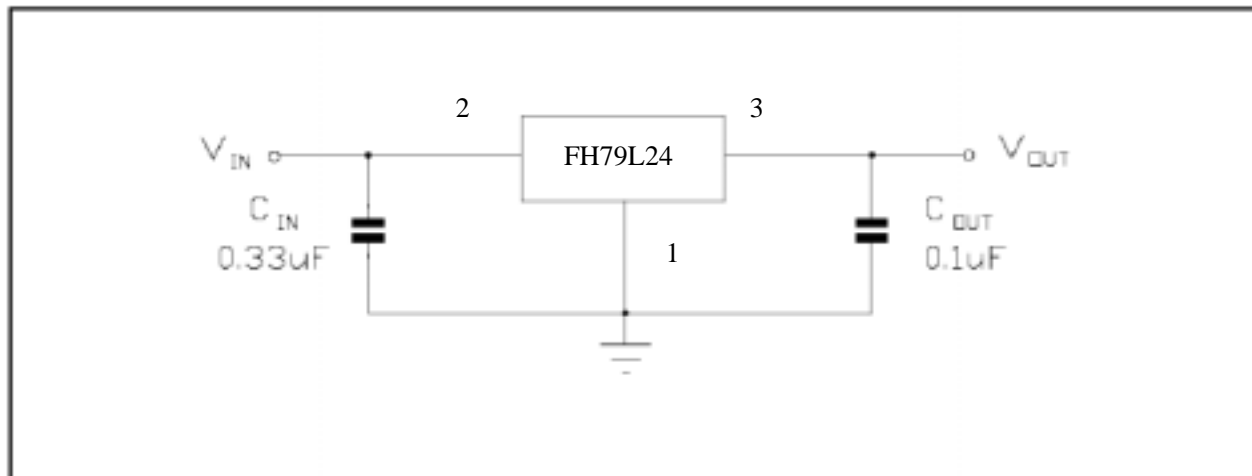
#### EQUIVALENT CIRCUIT

#### 等效电路





## TEST CIRCUITS



## ELECTRICAL CHARACTERISTICS

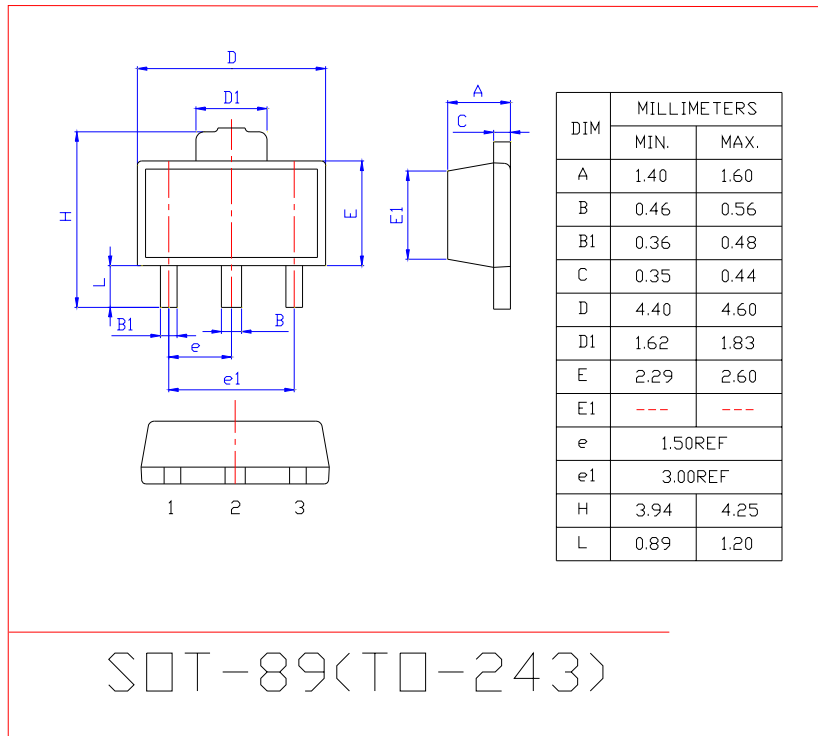
### FH79L24

Unless otherwise specified,  $V_{in} = -33V$ ,  $I_{out} = 40mA$ ,  $C_{in} = 0.33\mu F$ ,  $C_{out} = 0.1\mu F$ ,  $T_j = 0$  to  $125$

CHARACTERISTIC	SYMBOL	TEST CONDITION	MIN.	TYP.	MAX.	UNIT	
Output Voltage	$V_{out}$	$T_j = 25$	-25.0	-24.0	-23.0	V	
Input Regulation	Reg line	$T_j = 25$	-38V $\leq$ $V_{in} \leq$ -27 V,	-	35	350	mV
			-38V $\leq$ $V_{in} \leq$ -28V,	-	30	300	
Load Regulation	Reg load	$T_j = 25$	$1.0mA \leq I_{out} \leq 100mA$	-	40	200	mV
			$1.0mA \leq I_{out} \leq 40mA$	-	20	100	
Output Voltage	$V_{out}$		-38V $\leq$ $V_{in} \leq$ -27.5V, $1.0mA \leq I_{out} \leq 40mA$	-25.2	-	-22.8	V
			$V_{in} = -33V$ , $1.0mA \leq I_{out} \leq 70mA$	-25.2	-	-22.8	
Quiescent Current	$I_Q$	$T_j = 25$		-	3.5	6.5	mA
		$T_j = 125$		-	-	6.0	
Quiescent Current Change	$I_Q$		-38V $\leq$ $V_{in} \leq$ -28V,	-	-	1.5	mA
			$1.0mA \leq I_{out} \leq 40mA$	-	-	0.1	
Output Noise Voltage	$V_{NO}$	$T_a = 25$ , $10Hz \leq f \leq 100kHz$	-	200	-	$\mu V_{rms}$	
Long Term Stability	$V_{out}/t$		-	56	-	mV/1.0kHrs	
Ripple Rejection Ratio	RR	$f = 120Hz$ , -35V $\leq$ $V_{in} \leq$ -29V, $T_j = 25$	31	35	-	dB	
Dropout Voltage	$ V_{in} - V_{out} $	$T_j = 25$ , $I_{out} = 40mA$		1.7		V	
Average Temperature Coefficient of Output Voltage	TC <sub>vo</sub>	$I_{out} = 5mA$	-	-2.0	-	mV/	



## SOT-89 封装外形尺寸 ( SOT-89 DIMENSION )



## 编带包装规格 ( SOT-89 TAPE AND REEL SPECIFICATION AND PACKING SPECIFICATION )

