

MS 系列功率电感 MS Series SMD Power Inductors

I 应用温度 OPERATING TEMPERATURE

-40℃~+85℃

I 特征 FEATURES

大电流

磁屏蔽结构

适合于表面贴装,适合于回流焊

High saturation current

Magnetic shielded

SMT type, suitable for solder reflow



I 应用 APPLICATIONS

办公自动化设备,笔记本电脑

LCD 电视

DC/DC 转换

OA equipment, Notebook Computer

LCD televisions

DC/DC converters

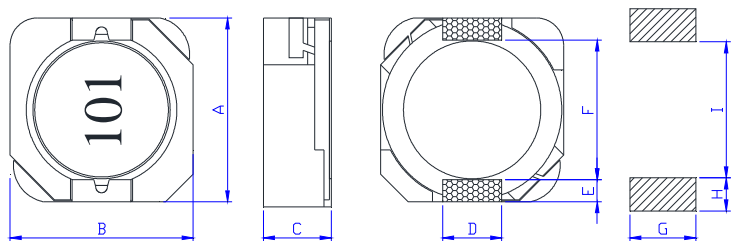
I 产品型号规格表示方法 ORDERING CODE

MS 104R — 101 M T
① ② ③ ④ ⑤

①型号 Code	②规格尺寸 Dimensions (L×W×T) (mm)		③电感量(μH) Inductance		④公差 Tolerance	⑤包装方式 Packaging Style	
MS-R 系列 MS-R Seires	103R	10.2×10.0×3.0	1R0	1.0	M ±20%	T	Tape&Reel
	104R	10.2×10.0×4.0	100	10	N ±30%		
	105R	10.2×10.0×5.0	101	100			
			102	1000			

I 外形尺寸 Shape and dimensions

单位 Unit: mm



RECOMMENDED
LAND PATTERNS

型号 Part	A	B	C	D(typ.)	E(typ.)	F(typ.)	G(typ.)	H(typ.)	I(typ.)
MS103R	10.2±0.3	10.0±0.3	3.1MAX	3.0	1.2	7.8	3.2	1.6	7.3
MS104R	10.2±0.3	10.0±0.3	4.0MAX	3.0	1.2	7.8	3.2	1.6	7.3
MS105R	10.2±0.3	10.0±0.3	5.1MAX	3.0	1.2	7.8	3.2	1.6	7.3

I 电气特性 Electrical Characteristics

MS103R Series

Part Number	Inductance (μH)	Test frequency (Hz)	Test Voltage (mV)	DCR Max (Ω)	Isat (A)
MS103R-1R5□T	1.5	100k	500	0.018	7.00
MS103R-2R2□T	2.2	100k	500	0.023	6.50
MS103R-3R3□T	3.3	100k	500	0.028	6.00
MS103R-4R7□T	4.7	100k	500	0.047	5.50
MS103R-5R6□T	5.6	100k	500	0.055	4.80
MS103R-6R8□T	6.8	100k	500	0.058	3.84
MS103R-8R2□T	8.2	100k	500	0.072	4.50
MS103R-100□T	10	100k	500	0.097	3.18
MS103R-150□T	15	100k	500	0.122	2.80
MS103R-220□T	22	100k	500	0.143	2.40
MS103R-330□T	33	100k	500	0.230	2.20
MS103R-470□T	47	100k	500	0.341	1.90
MS103R-560□T	56	100k	500	0.371	1.70
MS103R-680□T	68	100k	500	0.511	1.50
MS103R-820□T	82	100k	500	0.541	1.30
MS103R-101□T	100	100k	500	0.803	1.10
MS103R-151□T	150	100k	500	1.260	0.92
MS103R-221□T	220	100k	500	1.760	0.75

MS104R Series

Part Number	Inductance (μ H)	Test frequency (Hz)	Test Voltage (mV)	DCR MAX (Ω)	Isat (A)
MS104R-1R0□T	1.0	100k	500	0.014	10.00
MS104R-1R5□T	1.5	100k	500	0.017	10.00
MS104R-2R2□T	2.2	100k	500	0.021	7.50
MS104R-3R3□T	3.3	100k	500	0.025	6.00
MS104R-4R7□T	4.7	100k	500	0.028	5.50
MS104R-5R6□T	5.6	100k	500	0.031	5.20
MS104R-6R8□T	6.8	100k	500	0.038	4.80
MS104R-8R2□T	8.2	100k	500	0.042	4.60
MS104R-100□T	10	100k	500	0.043	4.40
MS104R-120□T	12	100k	500	0.060	4.00
MS104R-150□T	15	100k	500	0.068	3.60
MS104R-180□T	18	100k	500	0.070	3.30
MS104R-220□T	22	100k	500	0.090	2.90
MS104R-240□T	24	100k	500	0.110	2.80
MS104R-270□T	27	100k	500	0.117	2.60
MS104R-330□T	33	100k	500	0.120	2.40
MS104R-390□T	39	100k	500	0.150	2.20
MS104R-470□T	47	100k	500	0.190	2.10
MS104R-500□T	50	100k	500	0.200	2.00
MS104R-560□T	56	100k	500	0.297	1.80
MS104R-680□T	68	100k	500	0.350	1.50
MS104R-750□T	75	100k	500	0.365	1.47
MS104R-820□T	82	100k	500	0.385	1.45
MS104R-101□T	100	100k	500	0.430	1.35
MS104R-121□T	120	100k	500	0.470	1.25
MS104R-151□T	150	100k	500	0.506	1.15
MS104R-181□T	180	100k	500	0.627	1.00
MS104R-221□T	220	100k	500	0.756	0.92
MS104R-271□T	270	100k	500	0.950	0.75
MS104R-331□T	330	100k	500	1.090	0.70
MS104R-471□T	470	100k	500	1.900	0.60
MS104R-681□T	680	100k	500	2.200	0.55
MS104R-751□T	750	100k	500	3.120	0.47
MS104R-821□T	820	100k	500	4.600	0.40
MS104R-102□T	1000	100k	500	5.110	0.32

MS105R Series

Part Number	Inductance (μH)	Test frequency (Hz)	Test Voltage (mV)	DCR Max (Ω)	Isat (A)
MS105R-1R5□T	1.5	100k	500	0.011	10.50
MS105R-2R2□T	2.2	100k	500	0.013	9.25
MS105R-3R3□T	3.3	100k	500	0.017	7.80
MS105R-4R7□T	4.7	100k	500	0.019	6.40
MS105R-5R6□T	5.6	100k	500	0.022	5.90
MS105R-6R8□T	6.8	100k	500	0.025	5.40
MS105R-8R2□T	8.2	100k	500	0.029	4.85
MS105R-100□T	10	100k	500	0.035	4.50
MS105R-150□T	15	100k	500	0.041	3.60
MS105R-220□T	22	100k	500	0.061	2.95
MS105R-330□T	33	100k	500	0.084	2.40
MS105R-470□T	47	100k	500	0.130	2.00
MS105R-560□T	56	100k	500	0.149	1.90
MS105R-680□T	68	100k	500	0.201	1.65
MS105R-820□T	82	100k	500	0.227	1.50
MS105R-101□T	100	100k	500	0.253	1.35
MS105R-121□T	120	100k	500	0.303	1.28
MS105R-151□T	150	100k	500	0.370	1.12
MS105R-181□T	180	100k	500	0.419	1.04
MS105R-221□T	220	100k	500	0.500	0.94
MS105R-331□T	330	100k	500	0.700	0.80
MS105R-391□T	390	100k	500	0.800	0.75
MS105R-471□T	470	100k	500	1.290	0.60
MS105R-561□T	560	100k	500	1.430	0.54
MS105R-681□T	680	100k	500	1.600	0.52
MS105R-821□T	820	100k	500	1.770	0.50
MS105R-102□T	1000	100k	500	1.990	0.48
MS105R-152□T	1500	100k	500	3.050	0.40
MS105R-222□T	2200	100k	500	5.110	0.30
MS105R-332□T	3300	100k	500	6.000	0.25
MS105R-472□T	4700	100k	500	7.000	0.20

Isat: 饱和电流, 指加载直流电流时 $|\Delta L/L| \leq 35\%$;

Saturation Current, the current when the inductance becomes 35% lower than its initial value.

□--Ls Tolerance: $< 10 \mu\text{H} \rightarrow N \pm 30\%$; $\geq 10 \mu\text{H} \rightarrow M \pm 20\%$ 、 $N \pm 30\%$;

MS 系列功率电感 MS Series SMD Power Inductors

I 应用温度 OPERATING TEMPERATURE

-40℃ ~ +85℃

I 特征 FEATURES

大电流

磁屏蔽结构

适合于表面贴装,适合于回流焊

High saturation current

Magnetic shielded

SMT type, suitable for solder reflow



I 应用 APPLICATIONS

办公自动化设备,笔记本电脑

LCD 电视

DC/DC 转换

OA equipment , Notebook Computer

LCD televisions

DC/DC converters

I 产品型号规格表示方法 ORDERING CODE

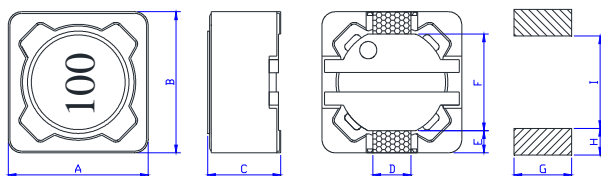
MS	127	—	101	M	T
①	②		③	④	⑤

① 代号 Code	②规格尺寸 Dimensions (L×W×T) (mm)		③电感量(μH) Inductance		④公差 Tolerance		⑤包装方式 Packaging Style	
MS 系列 MS Series	73	7.3×7.3×3.4	1R0	1.0	M	±20%	T	Tape&Reel
	74	7.3×7.3×4.2	100	10	N	±30%		
	124	12.2×12.2×4.5	101	100				
	125	12.2×12.2×5.7	102	1000				
	127	12.2×12.2×7.5						

I 外形尺寸 Shape and dimensions

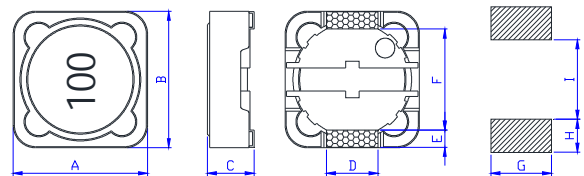
单位 Unit: mm

MS73/74 Series



RECOMMENDED
LAND PATTERNS

MS124/125/127 Series



RECOMMENDED
LAND PATTERNS

型号 Part	A	B	C	D(typ.)	E(typ.)	F(typ.)	G(typ.)	H(typ.)	I(typ.)
MS73	7.3±0.3	7.3±0.3	3.4±0.3	2.0	1.1	5.0	2.2	1.6	4.8
MS74	7.3±0.3	7.3±0.3	4.2±0.3	2.0	1.1	5.0	2.2	1.6	4.8
MS124	12.2±0.4	12.2±0.4	4.5±0.3	5.0	2.2	7.6	5.4	2.8	7.0
MS125	12.2±0.4	12.2±0.4	5.7±0.3	5.0	2.2	7.6	5.4	2.8	7.0
MS127	12.2±0.4	12.2±0.4	7.5±0.3	5.0	2.2	7.6	5.4	2.8	7.0

I 电气特性 Electrical Characteristics

MS73 Series

Part Number	Inductance (μ H)	Test frequency (Hz)	Test Voltage (mV)	DCR MAX (Ω)	Isat (A)
MS73-1R0□T	1.0	1k	500	0.025	3.60
MS73-1R5□T	1.5	1k	500	0.028	3.00
MS73-1R8□T	1.8	1k	500	0.030	2.75
MS73-2R2□T	2.2	1k	500	0.035	2.50
MS73-3R3□T	3.3	1k	500	0.038	2.00
MS73-4R7□T	4.7	1k	500	0.040	1.82
MS73-5R2□T	5.2	1k	500	0.057	1.82
MS73-6R8□T	6.8	1k	500	0.058	1.70
MS73-100□T	10	1k	500	0.072	1.68
MS73-150□T	15	1k	500	0.130	1.33
MS73-220□T	22	1k	500	0.190	1.07
MS73-330□T	33	1k	500	0.240	0.91
MS73-390□T	39	1k	500	0.320	0.77
MS73-470□T	47	1k	500	0.360	0.76
MS73-560□T	56	1k	500	0.470	0.68
MS73-680□T	68	1k	500	0.520	0.61
MS73-820□T	82	1k	500	0.690	0.57
MS73-101□T	100	1k	500	0.790	0.50
MS73-151□T	150	1k	500	1.270	0.43
MS73-221□T	220	1k	500	1.650	0.35
MS73-331□T	330	1k	500	2.620	0.28
MS73-391□T	390	1k	500	2.940	0.26
MS73-471□T	470	1k	500	4.180	0.24
MS73-561□T	560	1k	500	4.670	0.22
MS73-681□T	680	1k	500	5.730	0.19
MS73-821□T	820	1k	500	6.540	0.18
MS73-102□T	1000	1k	500	9.440	0.16
MS73-152□T	1500	1k	500	9.500	0.16
MS73-222□T	2200	1k	500	10.800	0.12
MS73-332□T	3300	1k	500	21.500	0.10

MS74 Series

Part Number	Inductance (μ H)	Test frequency (Hz)	Test Voltage (mV)	DCR MAX (Ω)	Isat(A)
MS74-1R0□T	1.0	1k	500	0.022	6.00
MS74-1R5□T	1.5	1k	500	0.028	3.20
MS74-2R2□T	2.2	1k	500	0.030	3.00
MS74-3R3□T	3.3	1k	500	0.035	2.80
MS74-4R7□T	4.7	1k	500	0.040	2.50
MS74-6R8□T	6.8	1k	500	0.050	2.10
MS74-8R2□T	8.2	1k	500	0.060	2.00
MS74-100□T	10	1k	500	0.055	1.84
MS74-150□T	15	1k	500	0.081	1.47
MS74-220□T	22	1k	500	0.110	1.23
MS74-330□T	33	1k	500	0.170	0.96
MS74-390□T	39	1k	500	0.230	0.91
MS74-470□T	47	1k	500	0.260	0.88
MS74-560□T	56	1k	500	0.350	0.75
MS74-680□T	68	1k	500	0.380	0.69
MS74-750□T	75	1k	500	0.400	0.65
MS74-820□T	82	1k	500	0.430	0.61
MS74-101□T	100	1k	500	0.610	0.60
MS74-151□T	150	1k	500	0.880	0.46
MS74-221□T	220	1k	500	1.170	0.36
MS74-331□T	330	1k	500	1.860	0.32
MS74-391□T	390	1k	500	2.850	0.29
MS74-471□T	470	1k	500	3.010	0.26
MS74-561□T	560	1k	500	3.620	0.23
MS74-681□T	680	1k	500	4.630	0.22
MS74-821□T	820	1k	500	5.200	0.20
MS74-102□T	1000	1k	500	6.000	0.18

MS124 Series

Part Number	Inductance (μ H)	Test frequency (Hz)	Test Voltage (mV)	DCR MAX (Ω)	Isat (A)
MS124-1R0□T	1.0	100k	500	0.008	12.00
MS124-1R6□T	1.6	100k	500	0.009	8.00
MS124-3R9□T	3.9	100k	500	0.018	6.50
MS124-4R7□T	4.7	100k	500	0.022	5.70
MS124-6R8□T	6.8	100k	500	0.028	4.90
MS124-100□T	10	100k	500	0.035	4.50
MS124-150□T	15	100k	500	0.050	3.20
MS124-220□T	22	100k	500	0.066	2.90
MS124-330□T	33	100k	500	0.097	2.70
MS124-390□T	39	100k	500	0.132	2.10
MS124-470□T	47	100k	500	0.150	1.90
MS124-560□T	56	100k	500	0.190	1.80
MS124-680□T	68	100k	500	0.220	1.50
MS124-820□T	82	100k	500	0.260	1.30
MS124-101□T	100	100k	500	0.308	1.20
MS124-151□T	150	100k	500	0.530	0.95
MS124-221□T	220	100k	500	0.700	0.80
MS124-331□T	330	100k	500	0.990	0.50
MS124-471□T	470	100k	500	1.300	0.40
MS124-152□T	1500	100k	500	4.000	0.29

MS125 Series

Part Number	Inductance (μ H)	Test frequency (Hz)	Test Voltage (mV)	DCR MAX (Ω)	Isat (A)
MS125-1R3□T	1.3	7.96M	500	0.012	8.00
MS125-2R1□T	2.1	7.96M	500	0.014	7.00
MS125-2R2□T	2.2	7.96M	500	0.014	7.00
MS125-3R1□T	3.1	7.96M	500	0.017	6.00
MS125-3R9□T	3.9	7.96M	500	0.018	5.50
MS125-4R7□T	4.7	7.96M	500	0.020	5.00
MS125-5R8□T	5.8	7.96M	500	0.021	4.40
MS125-6R8□T	6.8	7.96M	500	0.022	3.00
MS125-7R5□T	7.5	7.96M	500	0.024	4.20
MS125-8R2□T	8.2	7.96M	500	0.025	4.00
MS125-100□T	10	1k	500	0.025	4.00
MS125-150□T	15	1k	500	0.030	3.30
MS125-220□T	22	1k	500	0.042	2.80
MS125-330□T	33	1k	500	0.065	2.10
MS125-390□T	39	1k	500	0.068	2.00
MS125-470□T	47	1k	500	0.075	1.80
MS125-560□T	56	1k	500	0.110	1.70
MS125-680□T	68	1k	500	0.120	1.50
MS125-820□T	82	1k	500	0.140	1.40
MS125-101□T	100	1k	500	0.198	1.30
MS125-151□T	150	1k	500	0.230	1.00
MS125-221□T	220	1k	500	0.400	0.80
MS125-331□T	330	1k	500	0.510	0.68
MS125-391□T	390	1k	500	0.690	0.65
MS125-471□T	470	1k	500	0.770	0.58
MS125-561□T	560	1k	500	0.860	0.54
MS125-681□T	680	1k	500	1.200	0.48
MS125-821□T	820	1k	500	1.340	0.43
MS125-102□T	1000	1k	500	1.900	0.40
MS125-472□T	4700	1k	500	8.280	0.30
MS125-802□T	8200	1k	500	15.000	0.22
MS125-103□T	10000	1k	500	20.000	0.12

MS127 Series

Part Number	Inductance (μH)	Test frequency (Hz)	Test Voltage (mV)	DCR MAX (Ω)	Isat (A)
MS127-1R0□T	1.0	100k	500	0.007	9.80
MS127-1R5□T	1.5	100k	500	0.010	9.00
MS127-2R2□T	2.2	100k	500	0.012	7.50
MS127-3R3□T	3.3	100k	500	0.014	7.50
MS127-4R7□T	4.7	100k	500	0.016	6.80
MS127-5R6□T	5.6	100k	500	0.018	10.00
MS127-6R8□T	6.8	100k	500	0.020	6.60
MS127-8R2□T	8.2	100k	500	0.020	5.90
MS127-100□T	10	1k	500	0.022	5.40
MS127-150□T	15	1k	500	0.027	4.50
MS127-220□T	22	1k	500	0.043	3.60
MS127-330□T	33	1k	500	0.065	3.00
MS127-390□T	39	1k	500	0.073	2.75
MS127-470□T	47	1k	500	0.100	2.50
MS127-560□T	56	1k	500	0.110	2.35
MS127-680□T	68	1k	500	0.140	2.10
MS127-820□T	82	1k	500	0.160	1.95
MS127-101□T	100	1k	500	0.220	1.70
MS127-151□T	150	1k	500	0.280	1.42
MS127-221□T	220	1k	500	0.390	1.16
MS127-331□T	330	1k	500	0.640	0.95
MS127-391□T	390	1k	500	0.700	0.88
MS127-471□T	470	1k	500	0.980	0.79
MS127-561□T	560	1k	500	1.070	0.73
MS127-681□T	680	1k	500	1.460	0.67
MS127-821□T	820	1k	500	1.640	0.60
MS127-102□T	1000	1k	500	1.820	0.55
MS127-222□T	2200	1k	500	2.950	0.30

Isat: 饱和电流, 指加载直流电流时 $|\Delta L/L| \leq 20\%$;

Saturation Current, the current when the inductance becomes 20% lower than its initial value.

□—Ls Tolerance: $< 10 \mu\text{H} \rightarrow N \pm 30\%$; $\geq 10 \mu\text{H} \rightarrow M \pm 20\%$ 、 $N \pm 30\%$;

PBO 系列功率电感 PBO Series SMD Power Inductors

I 应用温度 OPERATING TEMPERATURE

-40°C ~ +85°C

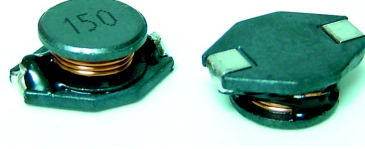
I 特征 FEATURES

大电流

适合于表面贴装,适合于回流焊

High saturation current

SMT type, suitable for solder reflow



I 应用 APPLICATIONS

移动通信,笔记本电脑

LCD 电视

DC/DC 转换

Portable communication equipment, Notebook Computer

LCD television

DC/DC converters

I 产品型号规格表示方法 ORDERING CODE

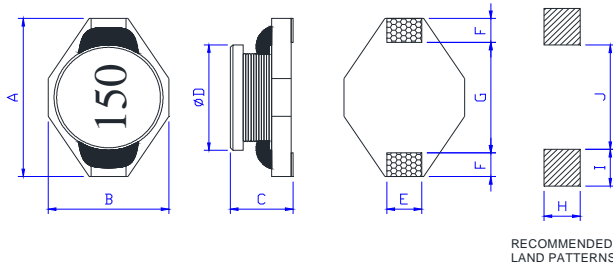
PBO	3316	—	150	M	T
①	②		③	④	⑤

①产品代号 Code	②规格尺寸 Dimensions (L×W×T) (mm)		③感量(μH) Inductance		④公差 Tolerance		⑤包装方式 Packaging Style	
PBO 系列 PBO Series	3316	12.70×9.20×5.00	150	15	K	±10%	T	Tape&Reel
	5022	18.20×14.10×6.80	101	100	M	±20%		
			102	1000				

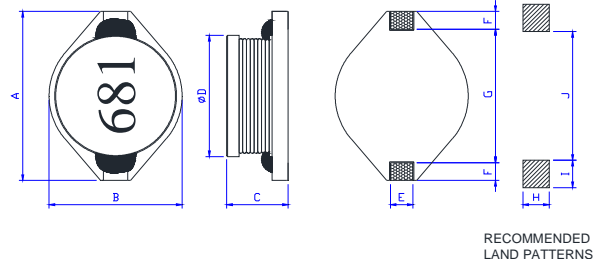
I 外形尺寸 Shape and dimensions

单位 Unit: mm

PBO3316 Series



PBO5022 Series



型号 Part	A	B	D	E(typ.)	F(typ.)	G(typ.)	H(typ.)	I(typ.)	J(typ.)
PBO3316	12.70±0.3	9.20±0.3	5.00±0.3	2.54	2.54	7.62	2.79	2.92	7.37
PBO5022	18.20±0.3	14.10±0.3	6.80±0.3	2.54	2.54	12.95	2.79	2.92	12.45

I 电气特性 Electrical Characteristics

PBO3316 Series

Part Number	Inductance (μ H)	Test frequency (Hz)	Test Voltage (mV)	DCR Max (Ω)	Isat (A)
PBO3316-R75 \square T	0.75	100k	100	0.009	10.00
PBO3316-1R0 \square T	1.00	100k	100	0.011	9.00
PBO3316-1R5 \square T	1.50	100k	100	0.012	8.00
PBO3316-2R2 \square T	2.20	100k	100	0.015	7.00
PBO3316-3R3 \square T	3.30	100k	100	0.018	6.40
PBO3316-4R7 \square T	4.70	100k	100	0.022	5.40
PBO3316-6R8 \square T	6.80	100k	100	0.027	4.60
PBO3316-100 \square T	10	100k	100	0.038	3.80
PBO3316-120 \square T	12	100k	100	0.055	3.50
PBO3316-150 \square T	15	100k	100	0.060	3.00
PBO3316-220 \square T	22	100k	100	0.085	2.60
PBO3316-330 \square T	33	100k	100	0.110	2.00
PBO3316-390 \square T	39	100k	100	0.150	1.80
PBO3316-470 \square T	47	100k	100	0.170	1.60
PBO3316-680 \square T	68	100k	100	0.210	1.40
PBO3316-820 \square T	82	100k	100	0.340	1.24
PBO3316-101 \square T	100	100k	100	0.330	1.20
PBO3316-151 \square T	150	100k	100	0.480	1.00
PBO3316-221 \square T	220	100k	100	0.800	0.80
PBO3316-331 \square T	330	100k	100	1.020	0.60
PBO3316-471 \square T	470	100k	100	1.270	0.50
PBO3316-681 \square T	680	100k	100	2.020	0.40
PBO3316-102 \square T	1000	100k	100	3.000	0.30
PBO3316-332 \square T	3300	100k	100	10.200	0.18
PBO3316-472 \square T	4700	100k	100	15.900	0.15

PBO5022 Series

Part Number	Inductance (μH)	Test frequency (Hz)	Test Voltage (mV)	DCR Max (Ω)	Isat (A)
PBO5022-1R0□T	1.0	100k	100	0.009	20.00
PBO5022-1R5□T	1.5	100k	100	0.012	18.00
PBO5022-2R2□T	2.2	100k	100	0.014	16.00
PBO5022-3R3□T	3.3	100k	100	0.018	14.00
PBO5022-4R2□T	4.2	100k	100	0.019	13.00
PBO5022-4R7□T	4.7	100k	100	0.019	13.00
PBO5022-5R6□T	5.6	100k	100	0.020	12.00
PBO5022-7R8□T	7.8	100k	100	0.027	11.00
PBO5022-100□T	10	100k	100	0.031	10.00
PBO5022-150□T	15	100k	100	0.036	8.00
PBO5022-220□T	22	100k	100	0.047	7.00
PBO5022-250□T	25	100k	100	0.066	5.50
PBO5022-330□T	33	100k	100	0.066	5.50
PBO5022-470□T	47	100k	100	0.086	4.50
PBO5022-680□T	68	100k	100	0.130	3.50
PBO5022-101□T	100	100k	100	0.190	3.00
PBO5022-151□T	150	100k	100	0.300	2.60
PBO5022-161□T	160	100k	100	0.350	2.50
PBO5022-221□T	220	100k	100	0.380	2.40
PBO5022-331□T	330	100k	100	0.560	1.90
PBO5022-471□T	470	100k	100	0.850	1.40
PBO5022-561□T	560	100k	100	0.980	1.30
PBO5022-681□T	680	100k	100	1.100	1.20
PBO5022-102□T	1000	100k	100	2.100	1.00

Isat: 指加载直流电流时 $|\Delta L/L| \leq 10\%$,测试 $f=1\text{kHz}$, $V=0.25\text{V}$

□ — Ls Tolerance: $< 100 \mu\text{H} \rightarrow M \pm 20\%$; $\geq 100 \mu\text{H} \rightarrow K \pm 10\%$ 、 $M \pm 20\%$;

PBS 系列功率电感 PBS Series SMD Power Inductors

I 应用温度 OPERATING TEMPERATURE

-40°C ~ +85°C

I 特征 FEATURES

大电流

屏蔽结构

适合于表面贴装,适合于回流焊

High saturation current

magnetic shielded

SMT type, suitable for solder reflow

I 应用 APPLICATIONS

移动通信,笔记本电脑

LCD 电视

DC/DC 转换

Portable communication equipment, Notebook Computer

LCD television

DC/DC converters

I 产品型号规格表示方法 ORDERING CODE

PBS	3316	—	150	M	T
①	②		③	④	⑤

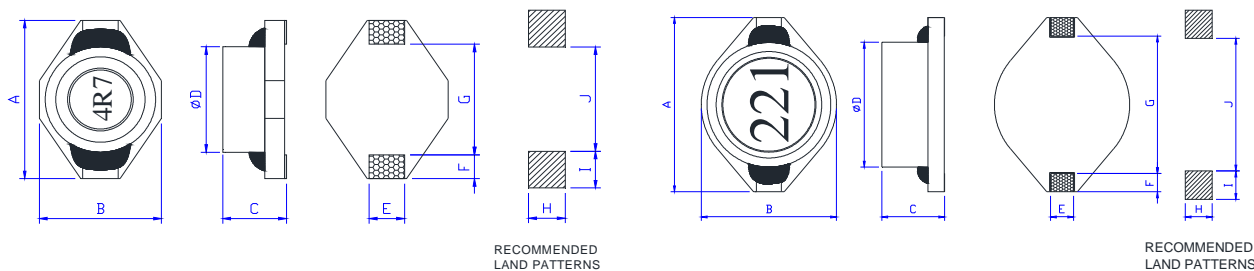
①产品代号 Code	②规格尺寸 Dimensions (L×W×T) (mm)		③感量(μH) Inductance		④公差 Tolerance		⑤包装方式 Packaging Style	
PBS 系列 PBS Series	3316	12.70×9.20×4.90	1R0	1	M	±20%	T	Tape&Reel
	5022	18.10×14.10×6.80	100	10	N	±30%		
			101	100				

I 外形尺寸 Shape and dimensions

单位 Unit: mm

PBS3316 Series

PBS5022 Series



型号 Part	A	B	D	E(typ.)	F(typ.)	G(typ.)	H(typ.)	I(typ.)	J(typ.)
PBS3316	12.70±0.3	9.20±0.3	4.90±0.3	2.54	2.54	7.62	2.79	2.92	7.37
PBS5022	18.10±0.3	14.10±0.3	6.80±0.3	2.54	2.54	12.95	2.79	2.92	12.45

I 电气特性 Electrical Characteristics

PBS3316 Series

Part Number	Inductance (μH)	Test frequency (Hz)	Test Voltage (mV)	DCR Max (Ω)	Isat (A)
PBS3316-1R0□T	1.0	100k	100	0.021	5.60
PBS3316-1R5□T	1.5	100k	100	0.022	5.20
PBS3316-2R2□T	2.2	100k	100	0.032	5.00
PBS3316-3R3□T	3.3	100k	100	0.039	3.90
PBS3316-4R7□T	4.7	100k	100	0.054	3.20
PBS3316-5R1□T	5.1	100k	100	0.069	3.00
PBS3316-6R8□T	6.8	100k	100	0.075	2.80
PBS3316-100□T	10	100k	100	0.101	2.40
PBS3316-150□T	15	100k	100	0.150	2.00
PBS3316-220□T	22	100k	100	0.207	1.60
PBS3316-330□T	33	100k	100	0.334	1.40
PBS3316-390□T	39	100k	100	0.425	1.20
PBS3316-470□T	47	100k	100	0.472	1.00
PBS3316-680□T	68	100k	100	0.390	0.85
PBS3316-101□T	100	100k	100	0.490	0.70
PBS3316-151□T	150	100k	100	0.920	0.60
PBS3316-221□T	220	100k	100	1.120	0.63
PBS3316-182□T	1800	100k	100	8.100	0.14
PBS3316-222□T	2200	100k	100	12.600	0.13
PBS3316-332□T	3300	100k	100	16.300	0.11

Isat: 饱和电流, 指加载直流电流时 $|\Delta L/L| \leq 10\%$

Saturation Current, the current when the inductance becomes 10% lower than its initial value.

□—Ls Tolerance: : $< 10 \mu\text{H} \rightarrow N \pm 30\%$; $\geq 10 \mu\text{H} \rightarrow M \pm 20\%$ 、 $N \pm 30\%$.

PBS5022 Series

Part Number	Inductance (μH)	Test frequency (Hz)	Test Voltage (mV)	DCR Max (Ω)	Isat (A)
PBS5022-1R0□T	1.0	100k	100	0.019	16.00
PBS5022-1R5□T	1.5	100k	100	0.020	15.00
PBS5022-2R2□T	2.2	100k	100	0.023	14.00
PBS5022-3R3□T	3.3	100k	100	0.025	12.00
PBS5022-100□T	10	100k	100	0.040	8.00
PBS5022-150□T	15	100k	100	0.048	7.00
PBS5022-220□T	22	100k	100	0.059	6.00
PBS5022-330□T	33	100k	100	0.095	5.00
PBS5022-470□T	47	100k	100	0.125	4.00
PBS5022-680□T	68	100k	100	0.180	3.00
PBS5022-101□T	100	100k	100	0.250	2.40
PBS5022-151□T	150	100k	100	0.350	2.10
PBS5022-221□T	220	100k	100	0.550	1.90
PBS5022-331□T	330	100k	100	1.080	1.10
PBS5022-471□T	470	100k	100	1.190	1.00
PBS5022-681□T	680	100k	100	1.400	0.96
PBS5022-102□T	1000	100k	100	2.010	0.80

Isat: 饱和电流, 指加载直流电流时 $|\Delta L/L| \leq 10\%$

Saturation Current, the current when the inductance becomes 10% lower than its initial value.

□—Ls Tolerance: : $< 10 \mu\text{H} \rightarrow N \pm 30\%$; $\geq 10 \mu\text{H} \rightarrow M \pm 20\%$ 、 $N \pm 30\%$.

PIO 系列功率电感 PIO Series SMD Power Inductors

I 应用温度 OPERATING TEMPERATURE

-40°C ~ +85°C

I 特征 FEATURES

多种不同尺寸结构适合高密度表面贴装

Various high power surface mountable type inductors are superior to high saturation

I 应用 APPLICATIONS

移动通信,笔记本电脑

LCD 电视

DC/DC 转换

Portable communication equipment, Notebook Computer

LCD television

DC/DC converters



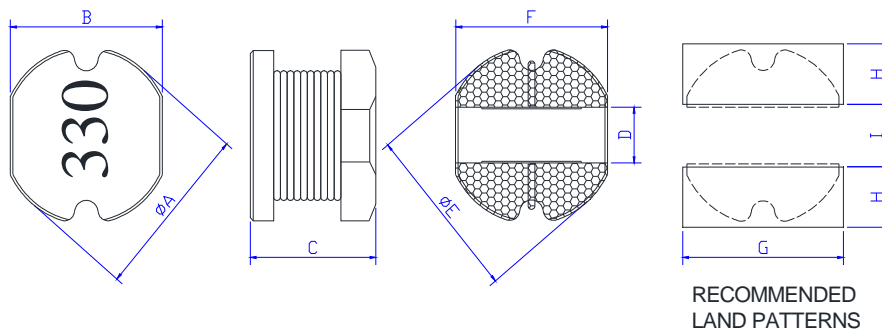
I 产品型号规格表示方法 ORDERING CODE

PIO	54	—	150	M	T
①	②		③	④	⑤

①	②	③	④	⑤	
产品代号 Code	规格尺寸 Dimensions (L×W×T) (mm)	感量(μH) Inductance	公差 Tolerance	包装方式 Packaging Style	
PIO 系列 PIO Series	31	3.5×3.0×1.6	2R2	2.2	T
	32	3.5×3.0×2.1	100	10	
	42	4.5×4.0×2.15	220	22	Tape&Reel
	43	4.5×4.0×3.2			
	52	5.8×5.2×2.1			
	53	5.8×5.2×3.0			
	54	5.8×5.2×4.5			
	73	7.8×7.0×3.5			
	75	7.8×7.0×5.0			
	104	10.0×9.0×4.0			
	105	10.0×9.0×5.4			
			K	±10%	
			L	±15%	
			M	±20%	

I 外形尺寸 Shape and dimensions

单位 Unit: mm



Part Number	A	B	C	D (typ.)	E (typ.)	F (typ.)	G (typ.)	H (typ.)	I (typ.)
PIO31	3.5±0.3	3.0±0.3	1.6±0.3	1.0	3.5	3.0	3.5	1.6	0.8
PIO32			2.1±0.3						
PIO42	4.5±0.3	4.0±0.3	2.15±0.3	1.6	4.5	4.0	4.5	1.75	1.5
PIO43			3.2±0.3						
PIO52	5.8±0.3	5.2±0.3	2.1±0.3	2.0	5.8	5.2	5.5	2.15	1.7
PIO53			3.0±0.3						
PIO54			4.5±0.3						
PIO73	7.8±0.3	7.0±0.3	3.5±0.3	2.5	7.8	7.0	7.5	3.0	2.0
PIO75			5.0±0.3						
PIO104	10.0±0.3	9.0±0.3	4.0±0.3	3.0	10.0	9.0	9.5	3.75	2.5
PIO105			5.4±0.3						

I 电性能参数 Electrical Characteristics

PIO31 Series

Part Number	Inductance (μ H)	Test frequency (Hz)	Test Voltage (mV)	DCR Max (Ω)	Isat (A)
PIO31-1R0□T	1.0	100k	500	0.048	1.30
PIO31-2R2□T	2.2	100k	500	0.085	1.20
PIO31-3R3□T	3.3	100k	500	0.115	1.08
PIO31-4R7□T	4.7	100k	500	0.170	1.00
PIO31-6R8□T	6.8	100k	500	0.240	0.80
PIO31-8R2□T	8.2	100k	500	0.330	0.76
PIO31-100□T	10	100k	500	0.350	0.70
PIO31-150□T	15	100k	500	0.640	0.50
PIO31-220□T	22	100k	500	0.890	0.40
PIO31-330□T	33	100k	500	1.250	0.37

PIO32 Series

Part Number	Inductance (μH)	Test frequency (Hz)	Test Voltage (mV)	DCR Max (Ω)	Isat (A)
PIO32-1R0□T	1.0	100k	500	0.050	1.850
PIO32-1R5□T	1.5	100k	500	0.060	1.800
PIO32-2R2□T	2.2	100k	500	0.080	1.600
PIO32-3R3□T	3.3	100k	500	0.100	1.400
PIO32-3R9□T	3.9	100k	500	0.150	1.300
PIO32-4R7□T	4.7	100k	500	0.165	1.250
PIO32-5R6□T	5.6	100k	500	0.185	1.200
PIO32-6R8□T	6.8	100k	500	0.210	1.100
PIO32-8R2□T	8.2	100k	500	0.240	1.050
PIO32-100□T	10	100k	500	0.350	0.760
PIO32-150□T	15	100k	500	0.500	0.640
PIO32-220□T	22	100k	500	0.650	0.500
PIO32-330□T	33	100k	500	0.850	0.380
PIO32-390□T	39	100k	500	1.000	0.360
PIO32-470□T	47	100k	500	1.600	0.330
PIO32-560□T	56	100k	500	1.650	0.290
PIO32-680□T	68	100k	500	1.850	0.280
PIO32-820□T	82	100k	500	2.100	0.250
PIO32-101□T	100	1k	500	2.200	0.220

PIO42 Series

Part Number	Inductance (μH)	Test frequency (Hz)	Test Voltage (mV)	DCR Max (Ω)	Isat (A)
PIO42-1R0□T	1.0	100k	500	0.050	3.00
PIO42-2R2□T	2.2	100k	500	0.070	2.50
PIO42-3R3□T	3.3	100k	500	0.085	1.75
PIO42-4R7□T	4.7	100k	500	0.095	1.40
PIO42-6R8□T	6.8	100k	500	0.128	1.20
PIO42-8R2□T	8.2	100k	500	0.155	1.10
PIO42-100□T	10	100k	500	0.180	1.00
PIO42-150□T	15	100k	500	0.320	0.80
PIO42-220□T	22	100k	500	0.450	0.60
PIO42-330□T	33	100k	500	0.500	0.54
PIO42-470□T	47	100k	500	0.800	0.48
PIO42-680□T	68	100k	500	1.100	0.33
PIO42-820□T	82	100k	500	1.300	0.20
PIO42-101□T	100	1k	500	1.500	0.10
PIO42-151□T	150	1k	500	2.300	0.09

PIO43 Series

Part Number	Inductance (μ H)	Test frequency (Hz)	Test Voltage (mV)	DCR Max (Ω)	Isat (A)
PIO43-1R0□T	1.0	100k	500	0.045	3.50
PIO43-1R5□T	1.5	100k	500	0.055	2.85
PIO43-2R2□T	2.2	100k	500	0.070	2.40
PIO43-3R3□T	3.3	100k	500	0.085	2.25
PIO43-3R9□T	3.9	100k	500	0.090	1.70
PIO43-4R7□T	4.7	100k	500	0.105	1.65
PIO43-5R6□T	5.6	100k	500	0.120	1.60
PIO43-6R8□T	6.8	100k	500	0.130	1.40
PIO43-8R2□T	8.2	100k	500	0.145	1.30
PIO43-100□T	10	100k	500	0.180	1.10
PIO43-150□T	15	100k	500	0.235	0.85
PIO43-220□T	22	100k	500	0.360	0.70
PIO43-330□T	33	100k	500	0.540	0.60
PIO43-390□T	39	100k	500	0.580	0.55
PIO43-470□T	47	100k	500	0.840	0.48
PIO43-560□T	56	100k	500	0.930	0.46
PIO43-680□T	68	100k	500	1.110	0.44
PIO43-820□T	82	100k	500	1.250	0.42
PIO43-101□T	100	1k	500	1.400	0.40
PIO43-151□T	150	1k	500	2.000	0.35
PIO43-221□T	220	1k	500	2.460	0.27
PIO43-331□T	330	1k	500	4.500	0.20
PIO43-471□T	470	1k	500	5.500	0.16
PIO43-561□T	560	1k	500	6.000	0.14
PIO43-681□T	680	1k	500	6.800	0.13

PIO52 Series

Part Number	Inductance (μH)	Test frequency (Hz)	Test Voltage (mV)	DCR Max (Ω)	Isat (A)
PI052-1R0□T	1.0	100k	500	0.022	4.50
PI052-1R5□T	1.5	100k	500	0.030	4.00
PI052-2R2□T	2.2	100k	500	0.070	3.50
PI052-3R3□T	3.3	100k	500	0.090	2.70
PI052-3R9□T	3.9	100k	500	0.091	2.40
PI052-4R7□T	4.7	100k	500	0.093	2.00
PI052-5R6□T	5.6	100k	500	0.105	1.80
PI052-6R8□T	6.8	100k	500	0.160	1.50
PI052-8R2□T	8.2	100k	500	0.170	1.40
PI052-100□T	10	100k	500	0.200	1.30
PI052-150□T	15	100k	500	0.250	1.05
PI052-220□T	22	100k	500	0.350	0.90
PI052-330□T	33	100k	500	0.500	0.75
PI052-390□T	39	100k	500	0.600	0.65
PI052-470□T	47	100k	500	0.650	0.60
PI052-560□T	56	100k	500	0.750	0.55
PI052-680□T	68	100k	500	0.950	0.50
PI052-820□T	82	100k	500	1.200	0.45
PI052-101□T	100	1k	500	1.400	0.40
PI052-151□T	150	1k	500	2.050	0.25
PI052-221□T	220	1k	500	3.200	0.20
PI052-331□T	330	1k	500	4.300	0.17
PI052-391□T	390	1k	500	6.000	0.16
PI052-471□T	470	1k	500	6.700	0.15

PIO53 Series

Part Number	Inductance (μ H)	Test frequency (Hz)	Test Voltage (mV)	DCR Max (Ω)	Isat (A)
PIO53-1R0 \square T	1.0	100k	500	0.028	4.50
PIO53-1R5 \square T	1.5	100k	500	0.034	4.20
PIO53-2R2 \square T	2.2	100k	500	0.050	4.00
PIO53-3R3 \square T	3.3	100k	500	0.060	3.00
PIO53-4R7 \square T	4.7	100k	500	0.070	2.80
PIO53-5R6 \square T	5.6	100k	500	0.083	2.60
PIO53-6R8 \square T	6.8	100k	500	0.100	2.50
PIO53-8R2 \square T	8.2	100k	500	0.120	2.30
PIO53-100 \square T	10	100k	500	0.130	2.00
PIO53-150 \square T	15	100k	500	0.182	1.60
PIO53-220 \square T	22	100k	500	0.280	1.20
PIO53-330 \square T	33	100k	500	0.410	1.10
PIO53-390 \square T	39	100k	500	0.490	1.00
PIO53-470 \square T	47	100k	500	0.550	0.80
PIO53-680 \square T	68	100k	500	0.630	0.75
PIO53-820 \square T	82	100k	500	0.750	0.70
PIO53-101 \square T	100	1k	500	0.925	0.65
PIO53-151 \square T	150	1k	500	1.600	0.55
PIO53-181 \square T	180	1k	500	1.650	0.50
PIO53-221 \square T	220	1k	500	1.860	0.40
PIO53-331 \square T	330	1k	500	3.100	0.25
PIO53-471 \square T	470	1k	500	4.300	0.20
PIO53-561 \square T	560	1k	500	6.470	0.18
PIO53-681 \square T	680	1k	500	7.320	0.16
PIO53-821 \square T	820	1k	500	8.124	0.14
PIO53-102 \square T	1000	1k	500	8.580	0.12

PIO54 Series

Part Number	Inductance (μ H)	Test frequency (Hz)	Test Voltage (mV)	DCR Max (Ω)	Isat (A)
PIO54-1R0□T	1.0	100k	500	0.025	3.50
PIO54-1R5□T	1.5	100k	500	0.026	3.30
PIO54-2R2□T	2.2	100k	500	0.028	3.20
PIO54-3R3□T	3.3	100k	500	0.035	2.50
PIO54-3R9□T	3.9	100k	500	0.038	2.40
PIO54-4R7□T	4.7	100k	500	0.040	2.30
PIO54-5R6□T	5.6	100k	500	0.050	2.10
PIO54-6R8□T	6.8	100k	500	0.055	2.00
PIO54-8R2□T	8.2	100k	500	0.090	1.70
PIO54-100□T	10	100k	500	0.100	1.65
PIO54-150□T	15	100k	500	0.140	1.40
PIO54-220□T	22	100k	500	0.180	1.10
PIO54-330□T	33	100k	500	0.220	0.90
PIO54-390□T	39	100k	500	0.300	0.80
PIO54-470□T	47	100k	500	0.350	0.75
PIO54-560□T	56	100k	500	0.400	0.70
PIO54-680□T	68	100k	500	0.450	0.65
PIO54-820□T	82	100k	500	0.600	0.60
PIO54-101□T	100	1k	500	0.700	0.55
PIO54-151□T	150	1k	500	1.100	0.43
PIO54-221□T	220	1k	500	1.550	0.35
PIO54-331□T	330	1k	500	1.760	0.30
PIO54-471□T	470	1k	500	2.500	0.25
PIO54-561□T	560	1k	500	2.870	0.20
PIO54-681□T	680	1k	500	3.500	0.18
PIO54-821□T	820	1k	500	5.200	0.17
PIO54-102□T	1000	1k	500	5.500	0.15

PIO73 Series

Part Number	Inductance (μ H)	Test frequency (Hz)	Test Voltage (mV)	DCR Max (Ω)	Isat (A)
PIO73-1R0 \square T	1.0	100k	500	0.012	6.00
PIO73-1R8 \square T	1.8	100k	500	0.017	5.00
PIO73-2R2 \square T	2.2	100k	500	0.022	4.50
PIO73-3R3 \square T	3.3	100k	500	0.035	4.10
PIO73-4R7 \square T	4.7	100k	500	0.048	4.00
PIO73-6R8 \square T	6.8	100k	500	0.050	2.40
PIO73-8R2 \square T	8.2	100k	500	0.072	2.20
PIO73-100 \square T	10	100k	500	0.080	2.10
PIO73-150 \square T	15	100k	500	0.095	1.70
PIO73-220 \square T	22	100k	500	0.156	1.35
PIO73-330 \square T	33	100k	500	0.200	1.05
PIO73-390 \square T	39	100k	500	0.215	0.95
PIO73-470 \square T	47	100k	500	0.260	0.90
PIO73-560 \square T	56	100k	500	0.305	0.80
PIO73-680 \square T	68	100k	500	0.390	0.75
PIO73-820 \square T	82	100k	500	0.405	0.70
PIO73-101 \square T	100	1k	500	0.480	0.65
PIO73-151 \square T	150	1k	500	0.750	0.55
PIO73-221 \square T	220	1k	500	1.200	0.45
PIO73-331 \square T	330	1k	500	1.490	0.35
PIO73-471 \square T	470	1k	500	2.200	0.30
PIO73-561 \square T	560	1k	500	2.400	0.25

PIO75 Series

Part Number	Inductance (μ H)	Test frequency (Hz)	Test Voltage (mV)	DCR Max (Ω)	Isat (A)
PIO75-1R0□T	1.0	100k	500	0.015	5.80
PIO75-1R5□T	1.5	100k	500	0.017	5.50
PIO75-2R2□T	2.2	100k	500	0.020	5.20
PIO75-3R3□T	3.3	100k	500	0.025	4.80
PIO75-3R9□T	3.9	100k	500	0.027	4.20
PIO75-4R7□T	4.7	100k	500	0.028	4.00
PIO75-5R6□T	5.6	100k	500	0.030	3.80
PIO75-6R8□T	6.8	100k	500	0.036	3.00
PIO75-8R2□T	8.2	100k	500	0.042	2.70
PIO75-100□T	10	100k	500	0.070	2.55
PIO75-150□T	15	100k	500	0.090	2.00
PIO75-220□T	22	100k	500	0.110	1.70
PIO75-330□T	33	100k	500	0.130	1.40
PIO75-390□T	39	100k	500	0.150	1.35
PIO75-470□T	47	100k	500	0.190	1.25
PIO75-560□T	56	100k	500	0.230	1.10
PIO75-680□T	68	100k	500	0.250	1.00
PIO75-820□T	82	100k	500	0.300	0.95
PIO75-850□T	85	100k	500	0.320	0.90
PIO75-101□T	100	1k	500	0.400	0.78
PIO75-151□T	150	1k	500	0.600	0.70
PIO75-221□T	220	1k	500	0.950	0.55
PIO75-331□T	330	1k	500	1.250	0.45
PIO75-391□T	390	1k	500	1.750	0.40
PIO75-471□T	470	1k	500	1.950	0.35
PIO75-561□T	560	1k	500	1.980	0.32
PIO75-681□T	680	1k	500	2.180	0.31
PIO75-821□T	820	1k	500	2.300	0.30
PIO75-102□T	1000	1k	500	3.850	0.20
PIO75-152□T	1500	1k	500	5.200	0.18

PIO104 Series

Part Number	Inductance (μ H)	Test frequency (Hz)	Test Voltage (mV)	DCR Max (Ω)	Isat (A)
PIO104-2R7 \square T	2.7	100k	500	0.018	6.00
PIO104-4R7 \square T	4.7	100k	500	0.027	4.50
PIO104-100 \square T	10	100k	500	0.050	2.90
PIO104-120 \square T	12	100k	500	0.060	2.80
PIO104-150 \square T	15	100k	500	0.070	2.30
PIO104-180 \square T	18	100k	500	0.080	2.15
PIO104-220 \square T	22	100k	500	0.090	2.10
PIO104-270 \square T	27	100k	500	0.100	1.90
PIO104-330 \square T	33	100k	500	0.120	1.85
PIO104-390 \square T	39	100k	500	0.150	1.45
PIO104-470 \square T	47	100k	500	0.170	1.35
PIO104-560 \square T	56	100k	500	0.200	1.30
PIO104-680 \square T	68	100k	500	0.270	1.20
PIO104-820 \square T	82	100k	500	0.295	1.00
PIO104-101 \square T	100	1k	500	0.300	0.95
PIO104-121 \square T	120	1k	500	0.400	0.90
PIO104-151 \square T	150	1k	500	0.500	0.80
PIO104-181 \square T	180	1k	500	0.620	0.70
PIO104-221 \square T	220	1k	500	0.720	0.65
PIO104-271 \square T	270	1k	500	0.950	0.57
PIO104-331 \square T	330	1k	500	1.100	0.55
PIO104-391 \square T	390	1k	500	1.200	0.50
PIO104-471 \square T	470	1k	500	1.520	0.45
PIO104-561 \square T	560	1k	500	1.900	0.40
PIO104-821 \square T	820	1k	500	2.880	0.35
PIO104-102 \square T	1000	1k	500	3.550	0.20

PIO105 Series

Part Number	Inductance (μH)	Test frequency (Hz)	Test Voltage (mV)	DCR Max (Ω)	Isat (A)
PIO105-1R0□T	1.0	100k	500	0.010	8.00
PIO105-2R2□T	2.2	100k	500	0.015	7.20
PIO105-3R3□T	3.3	100k	500	0.018	7.00
PIO105-4R7□T	4.7	100k	500	0.020	6.00
PIO105-6R2□T	6.2	100k	500	0.022	5.00
PIO105-8R2□T	8.2	100k	500	0.050	4.50
PIO105-100□T	10	100k	500	0.060	3.80
PIO105-150□T	15	100k	500	0.080	2.90
PIO105-220□T	22	100k	500	0.100	2.50
PIO105-330□T	33	100k	500	0.120	2.00
PIO105-390□T	39	100k	500	0.130	1.90
PIO105-470□T	47	100k	500	0.150	1.70
PIO105-560□T	56	100k	500	0.190	1.60
PIO105-680□T	68	100k	500	0.220	1.45
PIO105-820□T	82	100k	500	0.240	1.30
PIO105-101□T	100	1k	500	0.330	1.15
PIO105-151□T	150	1k	500	0.450	0.95
PIO105-221□T	220	1k	500	0.700	0.75
PIO105-331□T	330	1k	500	1.100	0.60
PIO105-391□T	390	1k	500	1.200	0.55
PIO105-471□T	470	1k	500	1.450	0.50
PIO105-561□T	560	1k	500	1.900	0.48
PIO105-681□T	680	1k	500	2.250	0.45
PIO105-821□T	820	1k	500	2.500	0.40
PIO105-102□T	1000	1k	500	2.600	0.30
PIO105-222□T	2200	1k	500	6.750	0.15

Isat: 饱和电流, 加 Isat 时, 指加载直流电流时 $|\Delta L/L| \leq 10\%$

Saturation Current, the current when the inductance becomes 10% lower than its initial value.

□ — Ls Tolerance: : $< 10 \mu\text{H} \rightarrow M \pm 20\%$; $\geq 10 \mu\text{H} \rightarrow K \pm 10\%$ 、 $M \pm 20\%$ 。

PRS 系列功率电感 PRS Series SMD Power Inductors

I 应用温度 OPERATING TEMPERATURE

-40°C ~ +85°C

I 特征 FEATURES

超薄： Low profile.

磁屏蔽结构： Magnetic shielded construction.

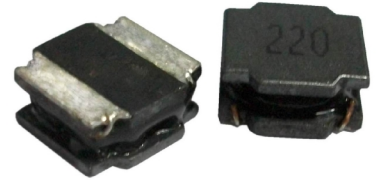
适合表面贴装： SMT type.

I 应用 APPLICATIONS

手机、PDA、液晶显示器等小型 DC/DC 变换器；

For small DC to DC converter (cellular phone, PDA, LCD display etc.)

DC/DC 转换； DC to DC converters etc.



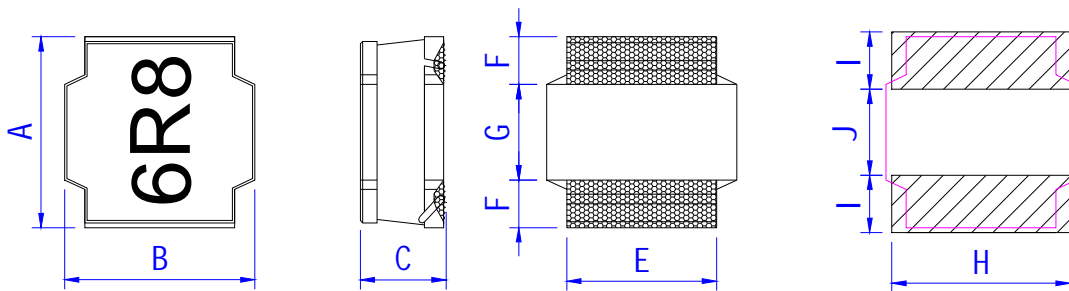
I 型号规格表示方法 ORDERING CODE

PRS	8040	—	150	M	T
①	②		③	④	⑤

①	②		③		④		⑤	
产品代号 Code	规格尺寸 Dimensions (L×W×T) (mm)		感量 (μH) Inductance		公差 Tolerance		包装方式 Packaging Style	
PRS 系列 PRS Series	3015	3.0×3.0×1.5	2R2	2.2	K	±10%	T	Tape&Reel
	4018	4.0×4.0×1.8	100	10	M	±20%		
	4026	4.0×4.0×2.6	220	22	N	±30%		
	5045	5.0×5.0×4.5						
	6020	6.0×6.0×2.0						
	6028	6.0×6.0×2.8						
	6045	6.0×6.0×4.5						
	8040	8.0×8.0×4.0						

I 外形尺寸 Shape and dimensions

单位 Unit: mm



RECOMMENDED
LAND PATTERNS

型号 Part	A	B	C	E(typ.)	F(typ.)	G(typ.)	H(typ.)	I(typ.)	J(typ.)
PRS3015	3.0±0.2	3.0±0.2	1.5MAX	2.5	0.9	1.2	3.0	1.0	1.2
PRS4018	4.0±0.2	4.0±0.2	1.8MAX	3.4	1.0	2.0	3.6	1.2	2.0
PRS4026	4.0±0.2	4.0±0.2	2.6MAX	3.4	1.0	2.0	3.6	1.2	2.0
PRS5020	5.0±0.2	5.0±0.2	2.1MAX	4.0	1.2	2.6	4.4	1.6	2.4
PRS5045	5.0±0.2	5.0±0.2	4.5MAX	4.0	1.2	2.6	4.4	1.6	2.4
PRS6020	6.0±0.2	6.0±0.2	2.0MAX	5.0	1.5	3.0	5.7	1.9	2.6
PRS6028	6.0±0.2	6.0±0.2	2.8MAX	5.0	1.5	3.0	5.7	1.9	2.6
PRS6045	6.0±0.2	6.0±0.2	4.5MAX	5.0	1.5	3.0	5.7	1.9	2.6
PRS8040	8.0±0.2	8.0±0.2	4.3MAX	6.4	2.0	4.0	7.5	2.4	3.6

I 电性能参数 Electrical Characteristics

PRS3015 Series

Part Number	Inductance (μH)	Test frequency (Hz)	Test Voltage (mV)	DCR $\pm 20\%$ (m Ω)	Isat (A)
PRS3015-1R0 \square T	1.0	100k	500	30	2.10
PRS3015-1R5 \square T	1.5	100k	500	40	1.80
PRS3015-2R2 \square T	2.2	100k	500	60	1.48
PRS3015-3R3 \square T	3.3	100k	500	80	1.21
PRS3015-4R7 \square T	4.7	100k	500	120	1.02
PRS3015-6R8 \square T	6.8	100k	500	160	0.87
PRS3015-100 \square T	10	100k	500	230	0.70
PRS3015-220 \square T	22	100k	500	520	0.47
PRS3015-330 \square T	33	100k	500	840	0.39
PRS3015-470 \square T	47	100k	500	1340	0.32

PRS4018 Series

Part Number	Inductance (μH)	Test frequency (Hz)	Test Voltage (mV)	DCR $\pm 30\%$ (m Ω)	Isat (A)
PRS4018-1R0 \square T	1.0	100k	500	30	4.00
PRS4018-1R5 \square T	1.5	100k	500	40	3.00
PRS4018-2R2 \square T	2.2	100k	500	60	2.70
PRS4018-3R3 \square T	3.3	100k	500	70	2.00
PRS4018-4R7 \square T	4.7	100k	500	90	1.70
PRS4018-6R8 \square T	6.8	100k	500	110	1.45
PRS4018-100 \square T	10	100k	500	180	1.20
PRS4018-150 \square T	15	100k	500	250	0.94
PRS4018-220 \square T	22	100k	500	360	0.80
PRS4018-330 \square T	33	100k	500	530	0.65
PRS4018-470 \square T	47	100k	500	650	0.57
PRS4018-680 \square T	68	100k	500	1000	0.47
PRS4018-101 \square T	100	100k	500	1500	0.40

PRS4026 Series

Part Number	Inductance (μH)	Test frequency (Hz)	Test Voltage (mV)	DCR $\pm 30\%$ (m Ω)	Isat (A)
PRS4026-2R2 \square T	2.2	100k	500	30	2.00
PRS4026-4R7 \square T	4.7	100k	500	56	1.45
PRS4026-100 \square T	10	100k	500	85	1.00
PRS4026-330 \square T	33	100k	500	270	0.54

PRS5020 Series

Part Number	Inductance (μ H)	Test frequency (Hz)	Test Voltage (mV)	DCR $\pm 30\%$ (m Ω)	Isat (A)
PRS5020-R75NT	0.75	100k	500	0.018	5.30
PRS5020-1R0NT	1.0	100k	500	0.020	4.40
PRS5020-1R2NT	1.2	100k	500	0.022	4.00
PRS5020-1R5NT	1.5	100k	500	0.028	3.70
PRS5020-2R2NT	2.2	100k	500	0.033	3.00
PRS5020-3R3NT	3.3	100k	500	0.043	2.40
PRS5020-4R7NT	4.7	100k	500	0.058	2.20
PRS5020-5R1NT	5.1	100k	500	0.068	2.10
PRS5020-6R8NT	6.8	100k	500	0.075	1.90
PRS5020-8R2NT	8.2	100k	500	0.096	1.70
PRS5020-100MT	10	100k	500	0.120	1.50
PRS5020-150MT	15	100k	500	0.165	1.20
PRS5020-180MT	18	100k	500	0.200	1.20
PRS5020-220MT	22	100k	500	0.220	1.10
PRS5020-330MT	33	100k	500	0.350	0.85
PRS5020-390MT	39	100k	500	0.410	0.80
PRS5020-470MT	47	100k	500	0.520	0.72
PRS5020-560MT	56	100k	500	0.600	0.65
PRS5020-680MT	68	100k	500	0.680	0.60
PRS5020-820MT	82	100k	500	0.860	0.52
PRS5020-101MT	100	100k	500	1.100	0.50

PRS5045 Series

Part Number	Inductance (μ H)	Test frequency (Hz)	Test Voltage (mV)	DCR $\pm 30\%$ (m Ω)	Isat (A)
PRS5045-1R0 \square T	1.0	100k	500	12	6.80
PRS5045-1R5 \square T	1.5	100k	500	14	6.00
PRS5045-2R2 \square T	2.2	100k	500	18	4.80
PRS5045-3R3 \square T	3.3	100k	500	24	3.70
PRS5045-4R7 \square T	4.7	100k	500	30	3.20
PRS5045-5R6 \square T	5.6	100k	500	40	3.00
PRS5045-6R8 \square T	6.8	100k	500	45	2.60
PRS5045-8R2 \square T	8.2	100k	500	55	2.40
PRS5045-100 \square T	10	100k	500	66	2.30
PRS5045-150 \square T	15	100k	500	90	1.90
PRS5045-220 \square T	22	100k	500	130	1.50
PRS5045-330 \square T	33	100k	500	200	1.30
PRS5045-390 \square T	39	100k	500	230	1.20
PRS5045-470 \square T	47	100k	500	300	1.00
PRS5045-560 \square T	56	100k	500	330	0.90
PRS5045-680 \square T	68	100k	500	420	0.85
PRS5045-820 \square T	82	100k	500	500	0.80
PRS5045-101 \square T	100	1k	500	620	0.70
PRS5045-151 \square T	150	1k	500	850	0.58
PRS5045-221 \square T	220	1k	500	1200	0.46
PRS5045-331 \square T	330	1k	500	1750	0.40
PRS5045-391 \square T	390	1k	500	2500	0.35
PRS5045-471 \square T	470	1k	500	2850	0.32
PRS5045-561 \square T	560	1k	500	3200	0.30
PRS5045-681 \square T	680	1k	500	3750	0.27
PRS5045-821 \square T	820	1k	500	5700	0.24
PRS5045-102 \square T	1000	1k	500	6500	0.21

PRS6020 Series

Part Number	Inductance (μ H)	Test frequency (Hz)	Test Voltage (mV)	DCR $\pm 30\%$ (m Ω)	Isat (A)
PRS6020-1R0 \square T	1.0	100k	500	20	5.00
PRS6020-1R5 \square T	1.5	100k	500	26	4.00
PRS6020-2R2 \square T	2.2	100k	500	34	3.50
PRS6020-3R3 \square T	3.3	100k	500	40	2.80
PRS6020-4R7 \square T	4.7	100k	500	58	2.40
PRS6020-6R8 \square T	6.8	100k	500	85	2.00
PRS6020-100 \square T	10	100k	500	125	1.70
PRS6020-150 \square T	15	100k	500	180	1.40
PRS6020-220 \square T	22	100k	500	290	1.05
PRS6020-330 \square T	33	100k	500	350	0.90
PRS6020-470 \square T	47	100k	500	520	0.75
PRS6020-680 \square T	68	100k	500	660	0.62

PRS6028 Series

Part Number	Inductance (μ H)	Test frequency (Hz)	Test Voltage (mV)	DCR $\pm 30\%$ (m Ω)	Isat (A)
PRS6028-1R2 \square T	1.2	100k	500	14	6.00
PRS6028-1R5 \square T	1.5	100k	500	16	5.00
PRS6028-2R2 \square T	2.2	100k	500	20	4.20
PRS6028-3R3 \square T	3.3	100k	500	23	3.60
PRS6028-4R7 \square T	4.7	100k	500	31	2.70
PRS6028-6R8 \square T	6.8	100k	500	48	2.30
PRS6028-100 \square T	10	100k	500	65	1.90
PRS6028-150 \square T	15	100k	500	95	1.60
PRS6028-220 \square T	22	100k	500	135	1.30
PRS6028-330 \square T	33	100k	500	220	1.10
PRS6028-470 \square T	47	100k	500	300	0.95
PRS6028-680 \square T	68	100k	500	420	0.76
PRS6028-101 \square T	100	100k	500	570	0.62
PRS6028-151 \square T	150	100k	500	760	0.50
PRS6028-221 \square T	220	100k	500	1200	0.45

PRS6045 Series

Part Number	Inductance (μ H)	Test frequency (Hz)	Test Voltage (mV)	DCR $\pm 30\%$ (m Ω)	Isat (A)
PRS6045-1R0 \square T	1.0	100k	500	14	8.50
PRS6045-1R3 \square T	1.3	100k	500	16	8.00
PRS6045-1R8 \square T	1.8	100k	500	18	7.00
PRS6045-2R2 \square T	2.2	100k	500	21	6.00
PRS6045-3R3 \square T	3.3	100k	500	24	5.00
PRS6045-4R5 \square T	4.5	100k	500	31	4.00
PRS6045-4R7 \square T	4.7	100k	500	31	4.00
PRS6045-6R8 \square T	6.8	100k	500	38	3.80
PRS6045-100 \square T	10	100k	500	47	3.00
PRS6045-150 \square T	15	100k	500	77	2.30
PRS6045-220 \square T	22	100k	500	115	1.90
PRS6045-330 \square T	33	100k	500	145	1.50
PRS6045-470 \square T	47	100k	500	220	1.25
PRS6045-560 \square T	56	100k	500	260	1.20
PRS6045-680 \square T	68	100k	500	330	1.00
PRS6045-820 \square T	82	100k	500	450	0.90
PRS6045-101 \square T	100	100k	500	500	0.80
PRS6045-151 \square T	150	100k	500	800	0.70
PRS6045-181 \square T	180	100k	500	950	0.65
PRS6045-221 \square T	220	100k	500	1200	0.60

PRS8040 Series

Part Number	Inductance (μH)	Test frequency (Hz)	Test Voltage (mV)	DCR $\pm 30\%$ (m Ω)	Isat (A)
PRS8040-1R0□T	1.0	100k	500	6	11.00
PRS8040-1R5□T	1.5	100k	500	7	9.00
PRS8040-2R2□T	2.2	100k	500	9	7.40
PRS8040-3R3□T	3.3	100k	500	15	5.30
PRS8040-4R7□T	4.7	100k	500	18	4.70
PRS8040-6R8□T	6.8	100k	500	25	4.00
PRS8040-100□T	10	100k	500	34	3.40
PRS8040-150□T	15	100k	500	50	2.70
PRS8040-220□T	22	100k	500	66	2.20
PRS8040-330□T	33	100k	500	100	1.90
PRS8040-470□T	47	100k	500	150	1.50
PRS8040-680□T	68	100k	500	230	1.20
PRS8040-101□T	100	100k	500	290	1.00
PRS8040-151□T	150	100k	500	480	0.95
PRS8040-221□T	220	100k	500	660	0.90
PRS8040-331□T	330	100k	500	1020	0.85

Isat: 饱和电流, 指加载直流电流时 $|\Delta L/L| \leq 30\%$

Saturation Current, the current when the inductance becomes 30% lower than its initial value.

□ — Ls Tolerance: : $< 10 \mu\text{H} \rightarrow N \pm 30\%$; $\geq 10 \mu\text{H} \rightarrow M \pm 20\%$ 、 $N \pm 30\%$.

PS-D 系列功率电感 PS-D Series SMD Power Inductors

I 应用温度 OPERATING TEMPERATURE

-40℃ ~ +85℃

I 特征 FEATURES

- 超薄
- 磁屏蔽结构
- 适合于表面贴装,适合于回流焊
- Low profile
- Magnetic shielded
- SMT type, suitable for reflow soldering.



I 应用 APPLICATIONS

- 移动通信,笔记本电脑
- DC/DC 转换
- Portable communication equipment, Notebook Computer
- DC/DC converters

产品规格型号表示方法 ORDERING CODE

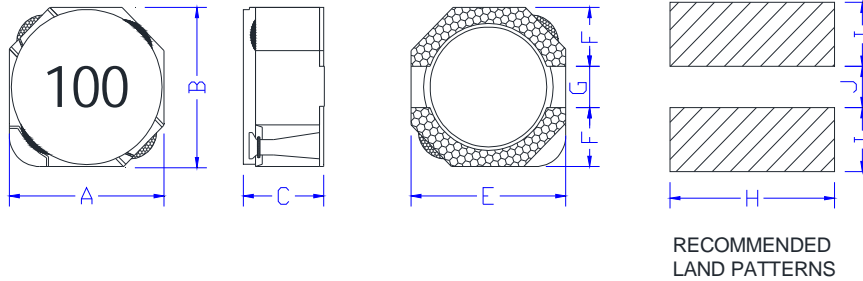
PS	5D28	—	150	M	T
①	②		③	④	⑤

①	②		③		④		⑤	
产品代号 Code	规格尺寸 Dimensions (L×W×T) (mm)		感量(μH) Inductance		公差 Tolerance		包装方式 Packaging Style	
PS-D 系列 PS-D Series	3D18	3.8×3.8×1.8	1R0	1	M	±20%	T	Tape&Reel
	3D28	3.8×3.8×2.8	100	10	N	±30%		
	4D18	4.7×4.7×1.8	101	100				
	4D28	4.7×4.7×2.8						
	5D18	5.7×5.7×1.8						
	5D28	5.7×5.7×2.8						
	6D28	6.7×6.7×2.8						
	6D38	6.7×6.7×3.8						
	8D28	8.0×8.0×2.8						
	8D38	8.0×8.0×3.8						
	8D43	8.0×8.0×4.3						

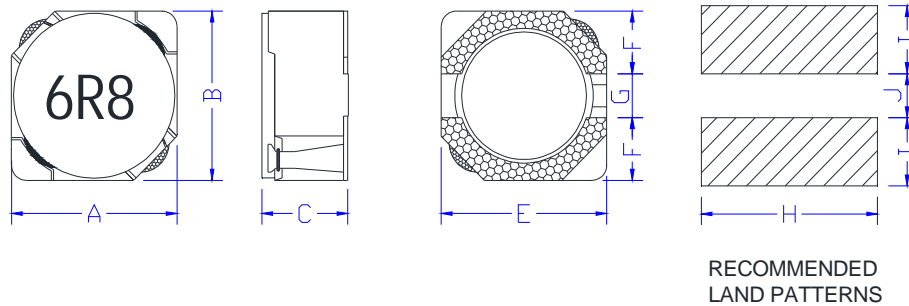
I 外形尺寸 Shape and dimensions

单位 Unit: mm

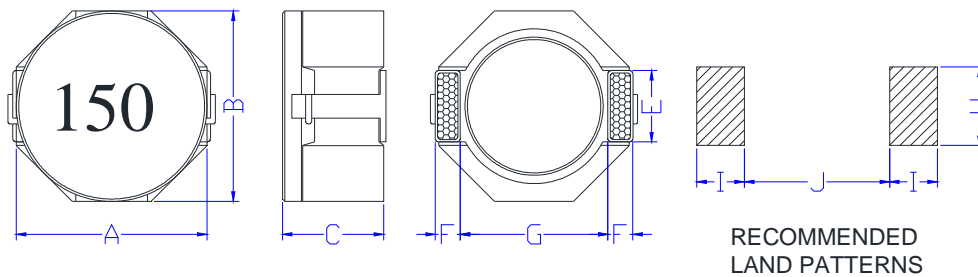
PS3D18/3D28



PS4D18/4D28/5D18/5D28/6D28/6D38



PS8D28/8D38/8D43



Part Number	A	B	C	E (typ.)	F (typ.)	G (typ.)	H (typ.)	I (typ.)	J (typ.)
PS3D18	3.8±0.2	3.8±0.2	1.8±0.2	3.8	1.3	1.2	4.5	1.5	1.0
PS3D28	3.8±0.2	3.8±0.2	2.8±0.2	3.8	1.3	1.2	4.5	1.5	1.0
PS4D18	4.7±0.3	4.7±0.3	1.8±0.2	4.7	1.6	1.5	5.3	1.9	1.5
PS4D28	4.7±0.3	4.7±0.3	2.8±0.2	4.7	1.6	1.5	5.3	1.9	1.5
PS5D18	5.7±0.3	5.7±0.3	1.8±0.2	5.7	1.85	2.0	6.3	2.15	2.0
PS5D28	5.7±0.3	5.7±0.3	2.8±0.2	5.7	1.85	2.0	6.3	2.15	2.0
PS6D28	6.7±0.3	6.7±0.3	2.8±0.2	6.7	2.35	2.0	7.3	2.0	2.65
PS6D38	6.7±0.3	6.7±0.3	3.8±0.2	6.7	2.35	2.0	7.3	2.0	2.65
PS8D28	8.0±0.3	8.0±0.3	2.8±0.2	2.5	1.2	6.3	2.8	2.0	6.1
PS8D38	8.0±0.3	8.0±0.3	3.8±0.2	2.5	1.2	6.3	2.8	2.0	6.1
PS8D43	8.0±0.3	8.0±0.3	4.3±0.2	2.5	1.2	6.3	2.8	2.0	6.1

I 电性能参数 Electrical Characteristics

PS3D18 Series

Part Number	Inductance (μ H)	Test frequency (Hz)	Test Voltage (mV)	DCR MAX (Ω)	Isat (A)
PS3D18-1R0□T	1.0	100k	1000	0.050	2.00
PS3D18-1R5□T	1.5	100k	1000	0.055	1.80
PS3D18-2R2□T	2.2	100k	1000	0.063	1.30
PS3D18-3R3□T	3.3	100k	1000	0.069	1.20
PS3D18-4R7□T	4.7	100k	1000	0.107	0.85
PS3D18-5R6□T	5.6	100k	1000	0.151	0.82
PS3D18-6R8□T	6.8	100k	1000	0.188	0.80
PS3D18-8R2□T	8.2	100k	1000	0.195	0.75
PS3D18-100□T	10	100k	1000	0.205	0.65
PS3D18-150□T	15	100k	1000	0.302	0.60
PS3D18-220□T	22	100k	1000	0.042	0.43
PS3D18-270□T	27	100k	1000	0.700	0.40
PS3D18-330□T	33	100k	1000	0.760	0.38
PS3D18-470□T	47	100k	1000	0.964	0.30
PS3D18-560□T	56	100k	1000	1.160	0.28
PS3D18-680□T	68	100k	1000	1.300	0.25
PS3D18-820□T	82	100k	1000	2.040	0.23
PS3D18-101□T	100	100k	1000	2.400	0.20
PS3D18-151□T	150	100k	1000	3.170	0.15
PS3D18-221□T	220	100k	1000	3.800	0.10

PS3D28 Series

Part Number	Inductance (μ H)	Test frequency (Hz)	Test Voltage (mV)	DCR MAX (Ω)	Isat (A)
PS3D28-1R0□T	1.0	100k	500	0.054	2.10
PS3D28-2R2□T	2.2	100k	500	0.080	1.95
PS3D28-3R3□T	3.3	100k	500	0.085	1.70
PS3D28-4R7□T	4.7	100k	500	0.095	1.40
PS3D28-5R6□T	5.6	100k	500	0.106	1.30
PS3D28-6R8□T	6.8	100k	500	0.116	1.20
PS3D28-8R2□T	8.2	100k	500	0.118	1.10
PS3D28-100□T	10	100k	500	0.200	0.90
PS3D28-150□T	15	100k	500	0.238	0.70
PS3D28-220□T	22	100k	500	0.251	0.60
PS3D28-330□T	33	100k	500	0.383	0.50
PS3D28-470□T	47	100k	500	0.599	0.42
PS3D28-560□T	56	100k	500	0.706	0.39
PS3D28-680□T	68	100k	500	0.790	0.36
PS3D28-820□T	82	100k	500	0.901	0.33
PS3D28-101□T	100	100k	500	1.500	0.30
PS3D28-151□T	150	100k	500	1.800	0.20

PS4D18 Series

Part Number	Inductance (μ H)	Test frequency (Hz)	Test Voltage (mV)	DCR MAX (Ω)	Isat (A)
PS4D18-1R2 \square T	1.2	100k	500	0.045	1.72
PS4D18-1R5 \square T	1.5	100k	500	0.060	1.45
PS4D18-2R2 \square T	2.2	100k	500	0.075	1.32
PS4D18-3R3 \square T	3.3	100k	500	0.085	0.90
PS4D18-4R7 \square T	4.7	100k	500	0.090	0.85
PS4D18-5R6 \square T	5.6	100k	500	0.107	0.80
PS4D18-6R8 \square T	6.8	100k	500	0.120	0.76
PS4D18-8R2 \square T	8.2	100k	500	0.160	0.69
PS4D18-100 \square T	10	100k	500	0.200	0.61
PS4D18-120 \square T	12	100k	500	0.210	0.56
PS4D18-150 \square T	15	100k	500	0.240	0.50
PS4D18-180 \square T	18	100k	500	0.338	0.48
PS4D18-220 \square T	22	100k	500	0.397	0.41
PS4D18-330 \square T	33	100k	500	0.455	0.40
PS4D18-470 \square T	47	100k	500	0.740	0.39
PS4D18-560 \square T	56	100k	500	0.902	0.36
PS4D18-680 \square T	68	100k	500	1.368	0.34
PS4D18-820 \square T	82	100k	500	1.416	0.33
PS4D18-101 \square T	100	100k	500	1.600	0.32
PS4D18-121 \square T	120	100k	500	1.750	0.30

PS4D28 Series

Part Number	Inductance (μ H)	Test frequency (Hz)	Test Voltage (mV)	DCR MAX (Ω)	Isat (A)
PS4D28-1R0 \square T	1.0	100k	500	0.020	3.00
PS4D28-1R5 \square T	1.5	100k	500	0.033	2.56
PS4D28-2R2 \square T	2.2	100k	500	0.045	2.04
PS4D28-3R3 \square T	3.3	100k	500	0.065	1.57
PS4D28-4R7 \square T	4.7	100k	500	0.072	1.32
PS4D28-5R6 \square T	5.6	100k	500	0.075	1.30
PS4D28-6R8 \square T	6.8	100k	500	0.108	1.12
PS4D28-8R2 \square T	8.2	100k	500	0.117	1.04
PS4D28-100 \square T	10	100k	500	0.128	1.00
PS4D28-150 \square T	15	100k	500	0.180	0.80
PS4D28-220 \square T	22	100k	500	0.235	0.70
PS4D28-330 \square T	33	100k	500	0.378	0.56
PS4D28-470 \square T	47	100k	500	0.587	0.48
PS4D28-560 \square T	56	100k	500	0.622	0.42
PS4D28-680 \square T	68	100k	500	0.690	0.38
PS4D28-820 \square T	82	100k	500	0.792	0.33
PS4D28-101 \square T	100	100k	500	1.020	0.29
PS4D28-151 \square T	150	100k	500	1.350	0.28
PS4D28-221 \square T	220	100k	500	2.532	0.26
PS4D28-331 \square T	330	100k	500	3.360	0.25
PS4D28-471 \square T	470	100k	500	4.400	0.20

PS5D18 Series

Part Number	Inductance (μ H)	Test frequency (Hz)	Test Voltage (mV)	DCR MAX (Ω)	Isat (A)
PS5D18-1R0□T	1.0	10k	1000	0.028	3.00
PS5D18-2R2□T	2.2	10k	1000	0.041	2.45
PS5D18-3R3□T	3.3	10k	1000	0.055	2.20
PS5D18-4R7□T	4.7	10k	1000	0.070	1.80
PS5D18-5R6□T	5.6	10k	1000	0.076	1.60
PS5D18-6R8□T	6.8	10k	1000	0.095	1.42
PS5D18-8R2□T	8.2	10k	1000	0.108	1.30
PS5D18-10□T	10	10k	1000	0.124	1.20
PS5D18-22□T	22	10k	1000	0.290	0.80
PS5D18-33□T	33	10k	1000	0.400	0.60
PS5D18-47□T	47	10k	1000	0.595	0.54
PS5D18-56□T	56	10k	1000	0.634	0.48
PS5D18-68□T	68	10k	1000	0.670	0.44
PS5D18-82□T	82	10k	1000	0.978	0.41
PS5D18-101□T	100	10k	1000	1.112	0.35

PS5D28 Series

Part Number	Inductance (μ H)	Test frequency (Hz)	Test Voltage (mV)	DCR MAX (Ω)	Isat (A)
PS5D28-1R5□T	1.5	10k	1000	0.023	3.00
PS5D28-2R2□T	2.2	10k	1000	0.036	2.60
PS5D28-3R3□T	3.3	10k	1000	0.038	2.30
PS5D28-3R9□T	3.9	10k	1000	0.039	2.20
PS5D28-4R7□T	4.7	10k	1000	0.041	2.00
PS5D28-5R6□T	5.6	10k	1000	0.045	1.80
PS5D28-6R8□T	6.8	10k	1000	0.047	1.75
PS5D28-8R2□T	8.2	10k	1000	0.053	1.60
PS5D28-10□T	10	10k	1000	0.067	1.20
PS5D28-15□T	15	10k	1000	0.103	1.10
PS5D28-22□T	22	10k	1000	0.150	0.90
PS5D28-27□T	27	10k	1000	0.175	0.85
PS5D28-33□T	33	10k	1000	0.189	0.75
PS5D28-47□T	47	10k	1000	0.300	0.62
PS5D28-56□T	56	10k	1000	0.305	0.58
PS5D28-68□T	68	10k	1000	0.355	0.52
PS5D28-82□T	82	10k	1000	0.468	0.45
PS5D28-101□T	100	10k	1000	0.520	0.42
PS5D28-221□T	220	10k	1000	1.680	0.30
PS5D28-331□T	330	10k	1000	2.050	0.25
PS5D28-471□T	470	10k	1000	3.570	0.20

PS6D28 Series

Part Number	Inductance (μ H)	Test frequency (Hz)	Test Voltage (mV)	DCR MAX (Ω)	Isat (A)
PS6D28-4R7MT	4.7	10k	1000	0.039	2.50
PS6D28-6R8MT	6.8	10k	1000	0.054	2.10
PS6D28-8R2MT	8.2	10k	1000	0.060	1.90
PS6D28-100MT	10	10k	1000	0.065	1.70
PS6D28-180MT	18	10k	1000	0.095	1.32
PS6D28-220MT	22	10k	1000	0.128	1.20
PS6D28-470MT	47	10k	1000	0.238	0.80
PS6D28-101MT	100	10k	1000	0.535	0.54
PS6D28-331MT	330	10k	1000	1.790	0.25

PS6D38 Series

Part Number	Inductance (μ H)	Test frequency (Hz)	Test Voltage (mV)	DCR MAX (Ω)	Isat (A)
PS6D38-1R0□T	1.0	10k	1000	0.016	4.50
PS6D38-1R5□T	1.5	10k	1000	0.017	4.20
PS6D38-2R2□T	2.2	10k	1000	0.019	4.00
PS6D38-3R3□T	3.3	10k	1000	0.020	3.72
PS6D38-4R7□T	4.7	10k	1000	0.032	3.20
PS6D38-5R6□T	5.6	10k	1000	0.033	2.80
PS6D38-6R8□T	6.8	10k	1000	0.034	2.50
PS6D38-8R2□T	8.2	10k	1000	0.045	2.20
PS6D38-100□T	10	10k	1000	0.048	2.00
PS6D38-150□T	15	10k	1000	0.057	1.60
PS6D38-220□T	22	10k	1000	0.096	1.30
PS6D38-330□T	33	10k	1000	0.124	1.10
PS6D38-390□T	39	10k	1000	0.138	1.00
PS6D38-470□T	47	10k	1000	0.155	0.95
PS6D38-560□T	56	10k	1000	0.202	0.85
PS6D38-680□T	68	10k	1000	0.234	0.75
PS6D38-820□T	82	10k	1000	0.324	0.70
PS6D38-101□T	100	10k	1000	0.358	0.65
PS6D38-221□T	220	10k	1000	0.810	0.45
PS6D38-331□T	330	10k	1000	1.350	0.38

PS8D28 Series

Part Number	Inductance (μ H)	Test frequency (Hz)	Test Voltage (mV)	DCR MAX (Ω)	Isat (A)
PS8D28-2R2□T	2.2	100k	500	0.025	5.00
PS8D28-3R3□T	3.3	100k	500	0.040	4.80
PS8D28-4R7□T	4.7	100k	500	0.048	3.80
PS8D28-6R8□T	6.8	100k	500	0.052	3.50
PS8D28-100□T	10	100k	500	0.083	2.65
PS8D28-150□T	15	100k	500	0.095	2.55
PS8D28-220□T	22	100k	500	0.182	2.50
PS8D28-330□T	33	100k	500	0.230	1.40

PS8D38 Series

Part Number	Inductance (μ H)	Test frequency (Hz)	Test Voltage (mV)	DCR MAX (Ω)	Isat (A)
PS8D38-1R0□T	1.0	100k	500	0.018	6.50
PS8D38-1R8□T	1.8	100k	500	0.020	6.20
PS8D38-2R2□T	2.2	100k	500	0.023	6.00
PS8D38-3R3□T	3.3	100k	500	0.027	5.50
PS8D38-4R7□T	4.7	100k	500	0.029	5.00
PS8D38-5R6□T	5.6	100k	500	0.031	4.20
PS8D38-6R8□T	6.8	100k	500	0.043	3.80
PS8D38-8R2□T	8.2	100k	500	0.046	3.50
PS8D38-100□T	10	100k	500	0.049	3.20
PS8D38-150□T	15	100k	500	0.090	2.70
PS8D38-220□T	22	100k	500	0.105	2.30
PS8D38-330□T	33	100k	500	0.138	1.80
PS8D38-470□T	47	100k	500	0.189	1.50
PS8D38-560□T	56	100k	500	0.257	1.40
PS8D38-680□T	68	100k	500	0.268	1.20
PS8D38-820□T	82	100k	500	0.323	1.15
PS8D38-101□T	100	100k	500	0.450	1.05
PS8D38-151□T	150	100k	500	0.521	0.90
PS8D38-221□T	220	100k	500	0.652	0.70
PS8D38-331□T	330	100k	500	1.000	0.60
PS8D38-471□T	470	100k	500	1.540	0.50

PS8D43 Series

Part Number	Inductance (μ H)	Test frequency (Hz)	Test Voltage (mV)	DCR MAX (Ω)	Isat (A)
PS8D43-1R0□T	1.0	100k	500	0.016	8.00
PS8D43-2R2□T	2.2	100k	500	0.020	6.00
PS8D43-3R3□T	3.3	100k	500	0.022	5.50
PS8D43-4R7□T	4.7	100k	500	0.027	4.80
PS8D43-5R6□T	5.6	100k	500	0.029	4.60
PS8D43-6R8□T	6.8	100k	500	0.035	4.40
PS8D43-8R2□T	8.2	100k	500	0.036	4.00
PS8D43-10□T	10	100k	500	0.043	3.60
PS8D43-15□T	15	100k	500	0.074	2.90
PS8D43-22□T	22	100k	500	0.075	2.60
PS8D43-33□T	33	100k	500	0.152	1.90
PS8D43-47□T	47	100k	500	0.175	1.50
PS8D43-56□T	56	100k	500	0.210	1.30
PS8D43-68□T	68	100k	500	0.280	1.20
PS8D43-82□T	82	100k	500	0.320	1.10
PS8D43-101□T	100	100k	500	0.430	1.00
PS8D43-151□T	150	100k	500	0.505	0.80
PS8D43-221□T	220	100k	500	0.756	0.60
PS8D43-331□T	330	100k	500	1.060	0.50
PS8D43-471□T	470	100k	500	1.168	0.45
PS8D43-561□T	560	100k	500	1.610	0.40
PS8D43-681□T	680	100k	500	1.800	0.35
PS8D43-821□T	820	100k	500	2.660	0.30
PS8D43-102□T	1000	100k	500	3.040	0.25

Isat: 饱和电流, 指加载直流电流时 $|\Delta L/L| \leq 35\%$

Saturation Current, the current when the inductance becomes 35% lower than its initial value.

□ — Ls Tolerance: $< 10 \mu\text{H} \rightarrow N \pm 30\%$; $\geq 10 \mu\text{H} \rightarrow M \pm 20\%$ 、 $N \pm 30\%$.